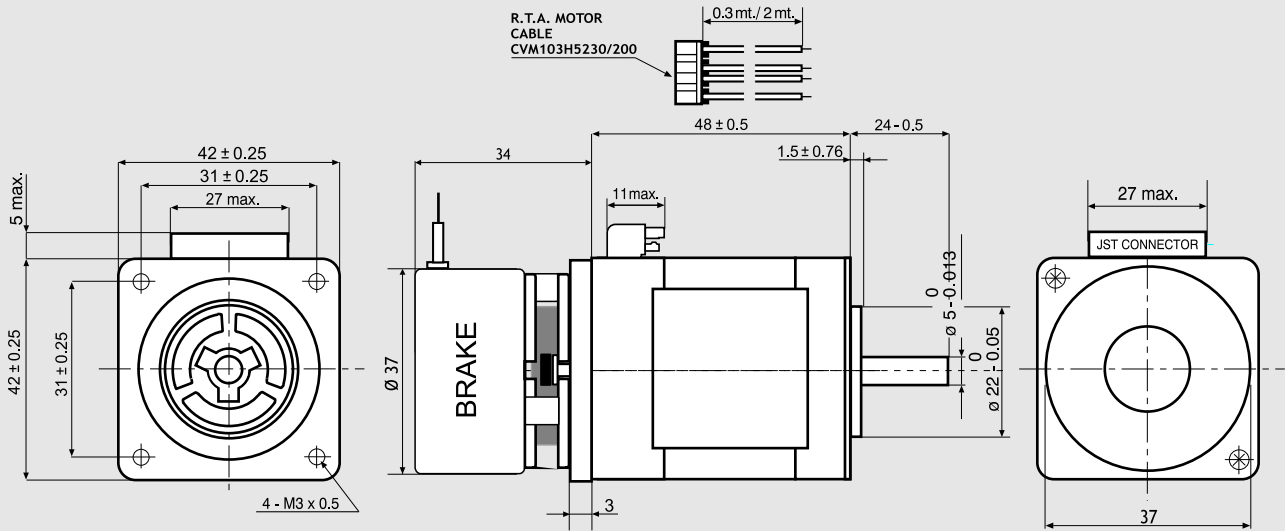


103-H5210-4512.B

Dimensions (Unit:mm)



SANYO DENKI MOTOR FEATURES

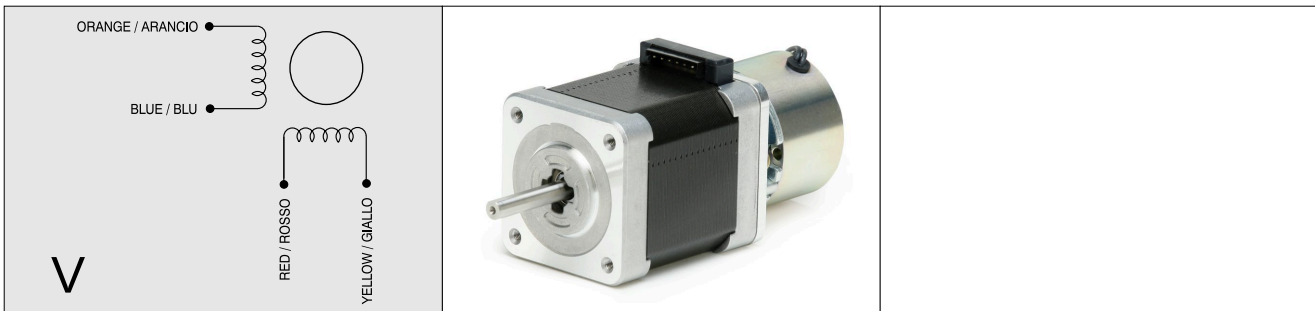
MODEL	103-H5210-4512.B	
SANYO DENKI MOTOR CODE	103-H5210-4512	
BASIC STEP ANGLE	1.8° ± 0.09°	
BIPOLAR PARALLEL CURRENT	(Amp)	2.0
RESISTANCE	(Ohm)	1.25
INDUCTANCE	(mH)	2.4
BIPOLAR HOLDING TORQUE	(Ncm)	51
ROTOR INERTIA	(Kg ^m × 10 ⁻⁷)	74
THEORETICAL ACCELERATION	(rad × sec. ⁻²)	69000
BACK E.M.F.	(V/Krpm)	25
MASS	(Kg)	0.55
LEADS CODE	V	

103-H5210-4512 MOTOR NEEDS CVM103H5230 OR CVM103H52200 R.T.A. CABLES. CONTACT R.T.A. FOR FURTHER DETAILS.

R.T.A. s.r.l. PAVIA (ITALY) SANYO DENKI CO., Ltd (JAPAN)

BRAKE FEATURES

STATIC TORQUE	(Nm)	0.24
DUTY CYCLE		50% max.
VOLTAGE	(Volt)	24 VDC
POWER	(W)	5
RELEASE TIME	(ms)	50



Ed. 1 Allegato EMC - 10 - 14



CAUTION

Use for safety related functions is forbidden (EN 60204-1). Moreover, when the application arrangement is in such way that a motor fault or failure could generate a risk for property or human life, external independent safety protection system must be provided in the machine.

