



 **TRIO**
MOTION | TECHNOLOGY
A MEMBER OF THE **ESTUN** GROUP

TRIO MOTION TECHNOLOGY MX MOTORS & CABLES

- THE MOTION SPECIALIST -



MXL Motors

Low Inertia High Speed Servo Motors

Motors Matched to DX Drives



The MXL family of servo motors include solutions with 17-bit or 23-bit encoders, are suitable for application speeds up to 6000 rpm, include variants with an integrated brake.

Low inertia allows very fast response times and these motors develop a very high torque despite their small size. In combination with our servo drives, they are ideal for applications with high dynamic responses and fast and precise positioning.

Our servo drive systems can be used in a wide range of applications thanks to their high performance, available power range and compact dimensions.

AT A GLANCE

- * Power range:
50W to 3kW (200V)
1kW to 5kW (400V)
- * Low inertia
- * Rated speed 3000 RPM (Max speed 6000 RPM)
- * 23-bit absolute encoder or 17-bit absolute encoder
- * IP65 rated
- * Oil seal as standard
- * Optional brake
- * Compatible with Trio DX drives



40mm
50W – 100W

60mm
200W – 400W

80mm
750W – 1kW

100mm
1.5kW – 2kW

130mm
3kW – 5kW

Preliminary specifications may change without notice



MXL Motors

Low Inertia High Speed Servo Motors

Specifying Your Motors



Model	Rated Power	Supply Voltage	Flange	Rated Speed	Encoder	Revision	Shaft End	Option	Connector Type
MXL -	04	A	06	30	L	A	2	2	2

A5	0.05kW
01	0.1kW
02	0.2kW
04	0.4kW
08	0.75kW
10	1kW
15	1.5kW
20	2kW
30	3kW
40	4kW
50	5kW

A	200V
D	400V

04	40mm
06	60mm
08	80mm
10	100mm
13	130mm

30	3000RPM
----	---------

T	17 Bit abs
L	23 Bit abs

2	With Key	2	With oil seal	4	On motor
		4	Oil + brake	8	IP65

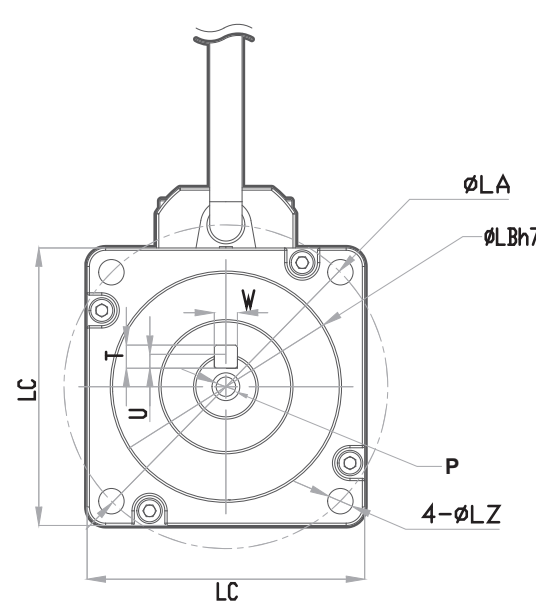
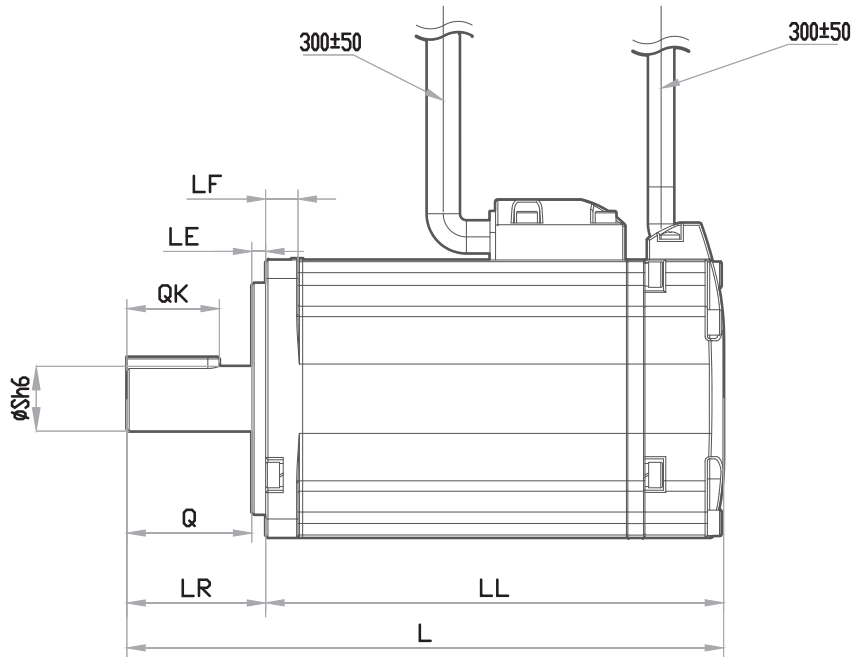


	MXL	DX3	DX4	DX5
200V	50W	✓	✓	
	100W	✓	✓	✓
	200W	✓	✓	✓
	400W	✓	✓	✓
	750kW	✓	✓	✓
	1kW	✓	✓	
	1.5kW	✓	✓	
	2kW	✓	✓	
	3kW			✓
400V	1.5kW	✓		
	2kW	✓		
	3kW	✓		
	4kW	✓		
	5kW	✓		

MXL Motors

50W - 1kW

Specification



Power W	MXL-	L	LL	Flange Side							S	P	Key				
				LR	LE	LF	LC	LA	LB	LZ			QK	W	T	U	Q
50	A5AL	87.5 (121)	62.5 (96)	25	2.5	5	40	46	30	4.3	8	M3x 6	14	22	3	3	22.5
100	01AL	103.5(137)	78.5 (112)	25	2.5	5	40	46	30	4.3	8	M3x 6	14	22.5	3	3	22.5
100	01AT	113.5 (147)	88.5(122)	25	2.5	5	40	46	30	4.3	8	M3x 6	14	22.5	3	3	27
200	02AL	108 (137)	78 (102)	30	3	7	60	70	50	5.5	14	M5x 12	20	27	5	5	27
200	02AT	126.5 (155.5)	96.5 (125.5)	30	3	7	60	70	50	5.5	14	M5x 12	20	27	5	5	37
400	04AL	129 (158)	99 (128)	30	3	7	60	70	50	5.5	14	M5x 12	20	27	5	5	37
400	04AT	147.5 (176.5)	117.5 (146.5)	30	3	7	60	70	50	5.5	14	M5x 12	20	27	5	5	27
750	08AL	151 (184)	111 (144)	40	3	8	80	90	70	6.6	19	M6x 12	25	37/35	6	6	27
750	08AT	167.5 (200.5)	127.5 (160.5)	40	3	8	80	90	70	6.6	19	M6x 12	25	37	6	6	37
1000	10AL	165 (198)	125 (158)	40	3	8	80	90	70	6.6	19	M6x 12	25	37	6	6	37
1000	10AT	185 (214.5)	141.5 (175.5)	40	3	8	80	90	70	6.6	19	M6x 12	25	37	6	6	37

N.B: Numbers in parentheses represent the value with brake.

Preliminary specifications may change without notice

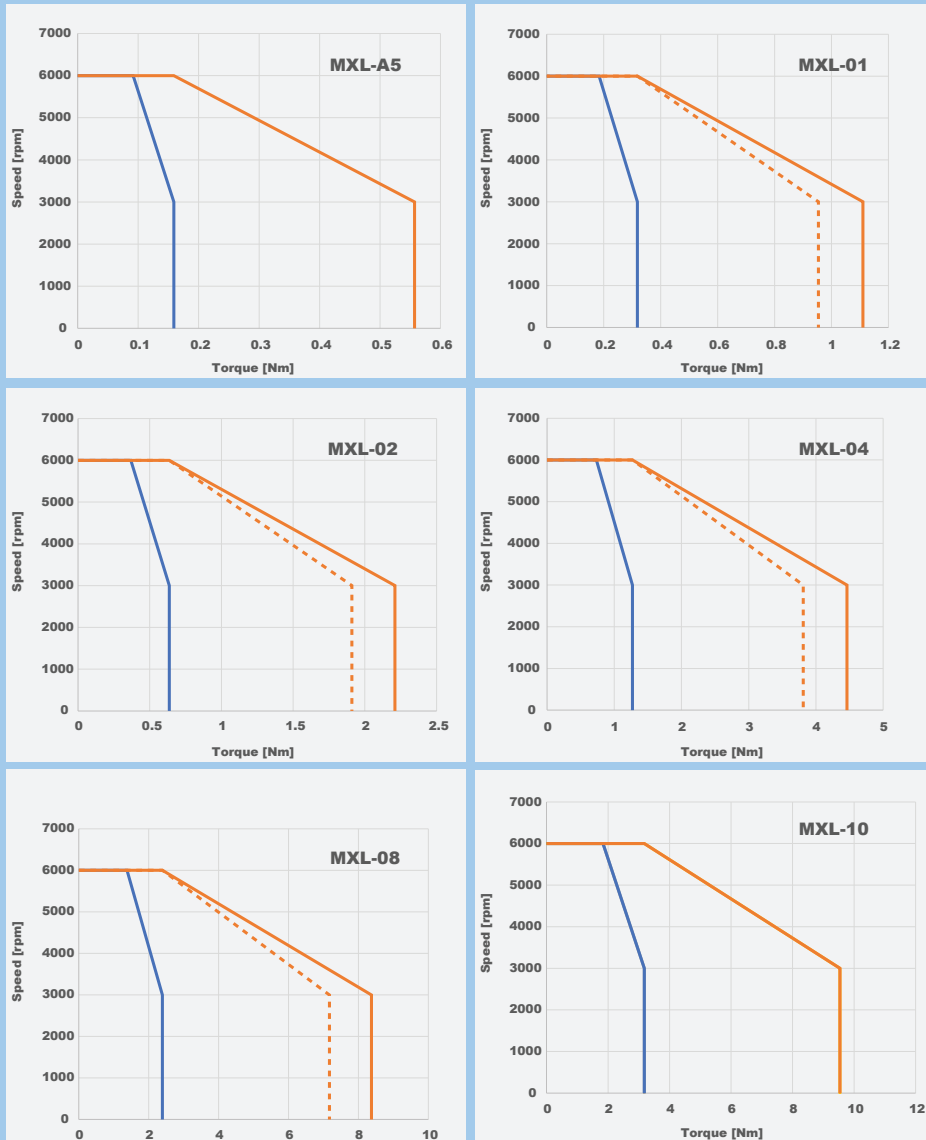


MXL Motors

50W - 1kW

Specification

- Continuous Working Area
- Cyclic Working Area (L encoder)
- Cyclic Working Area (T encoder)



A MEMBER OF THE ESTUN GROUP

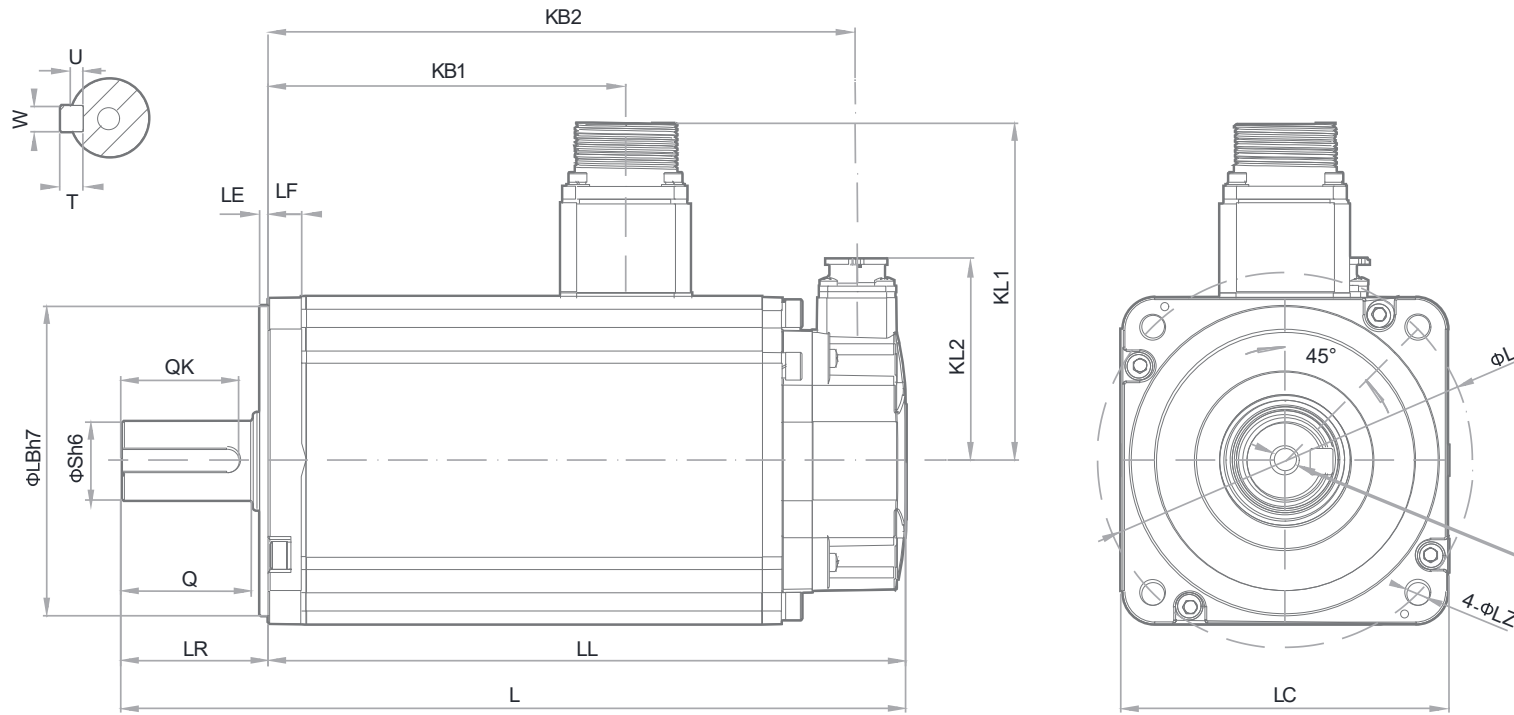
	MXL-	A5A	01A	02A	04A	08A	10A				
Rated Output	kW	0.05	0.1	0.2	0.4	0.75	1.0				
Rated Torque	Nm	0.159	0.318	0.630	1.270	2.390	3.180				
Instantaneous Peak Torque	Nm	0.557	0.954	1.11	1.91	2.23	3.81	4.46	7.17	8.37	9.550
Rated Current	Arms	0.9	1.1	1.5	2.9	5.1	6.9				
Instantaneous Max. Current	Arms	3.3	4.0	5.8	11.5	19.5	21.0				
Rated Speed	rpm	3000	3000	3000	3000	3000	3000				
Max. Speed	rpm	6000	6000	6000	6000	6000	6000				
Rotor Moment of Inertia	x10 ⁻⁴ kg m ²	0.0230 (0.0268)	0.0428 (0.0465)	0.147 (0.179)	0.244 (0.276)	0.909 (1.07)	1.14 (1.30)				
Weight	kg	0.368 (0.588)	0.491 (0.696)	0.9 (1.3)	1.3 (1.7)	2.6 (3.2)	3.1 (3.8)				
Brake Rated Voltage	24 Vdc ± 10%										
Brated Rated Torque	Nm	≥0.32		≥1.5		≥3.2					
Flange	mm	40	40	60	60	80	80				
Encoder Types	L (23-bit absolute)	L (23-bit absolute), T (17-bit absolute)									
Shaft end load (Radial)	Nm	78	78	245	245	392	392				
Shaft end load (Axial)	Nm	54	54	74	74	147	147				
Insulation Class	F										
Ambient Temperature	0 ~ +40°C (No freezing)										
Ambient Humidity	20% ~ 80% RH (No condensing)										
Vibration	Dynamic ≤ 49m/s ² (5G); Static ≤ 24.5m/s ² ; Shock ≤ 98m/s ² (10G)										
Enclosure	Totally enclosed, Self cooled, IP65										

Model	Rated Power	Supply Voltage	Flange	Rated Speed	Encoder	Revision	Shaft End	Option	Connector Type
MXL	04	A	06	30	L	A	2	2	2
A5	0.05kW	A 200V	04 40mm	30 3000RPM	T 17 Bit abs		2 With Key	2 With oil seal	4 On motor
01	0.1kW	D 400V	06 60mm		L 23 Bit abs			4 Oil + brake	8 IP65
02	0.2kW		08 80mm						
04	0.4kW								
08	0.75kW								
10	1kW								

MXL Motors

1.5kW - 5kW

Specification



Power kW	MXL-	L	LL	KB1	KB2	KL1	KL2	Flange Side							S	P	Key				
								LR	LE	LF	LC	LA	LB	LZ			QK	W	T	U	Q
1.5	15A/15D	210 (240)	165 (195)	97 (109)	150 (180)	102	60	45	3	10	100	115	95	7	24	M8 x 16	36	8	7	4	40
2.0	20A/20D	230 (260)	185 (215)	117 (129)	170 (200)	102	60	45	3	10	100	115	95	7	24	M8 x 16	36	8	7	4	40
3.0	30D	257 (298.5)	194 (226.5)	160.5	179 (211.6)	110	60	63	6	12	130	145	110	9	28	M8 x 16	54	8	7	4	55
4.0	40D	284 (316.5)	221 (253.5)	187.5	206 (238.5)	110	60	63	6	12	130	145	110	9	28	M8 x 16	54	8	7	4	55
5.0	50D	324 (356.5)	261 (293.5)	227.5	246 (278.5)	110	60	63	6	12	130	145	110	9	28	M8 x 16	54	8	7	4	55

N.B: Numbers in parentheses represent the value with brake.

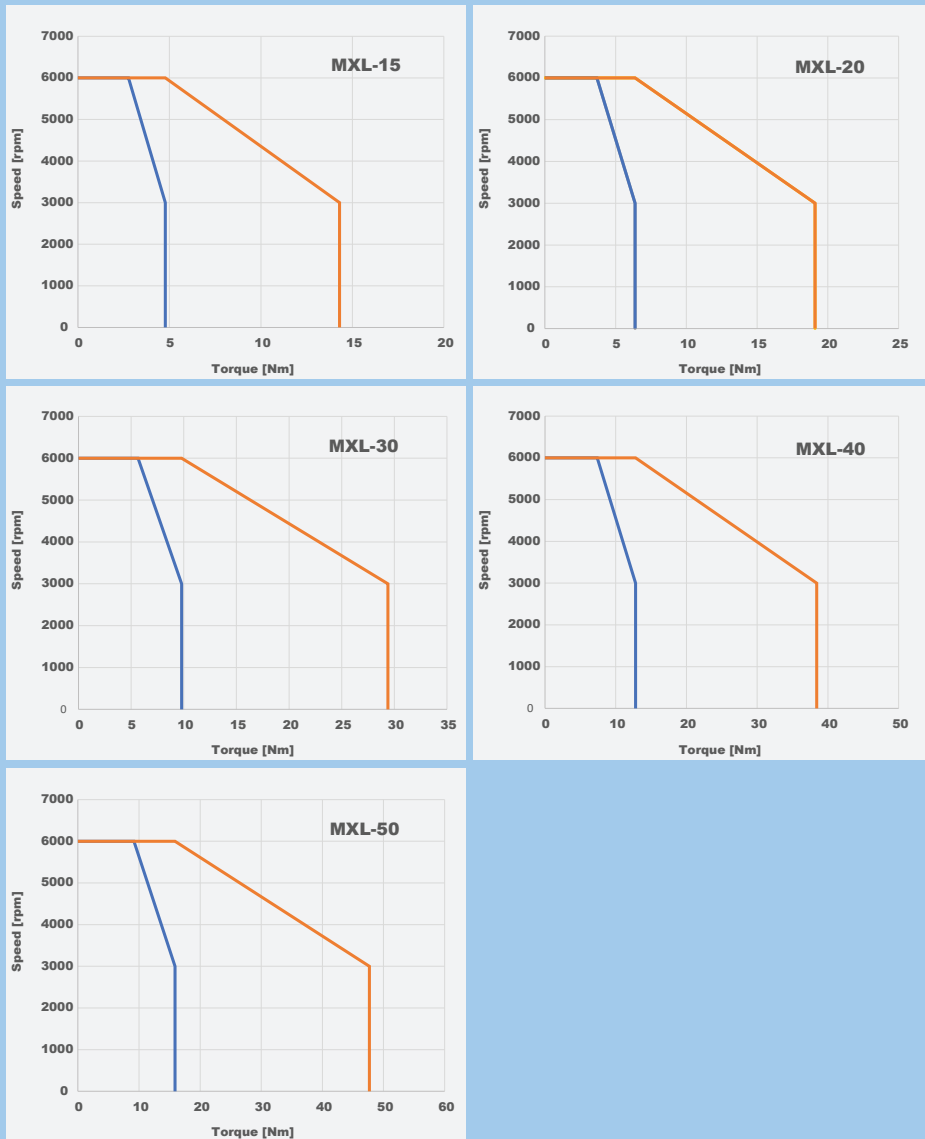
Preliminary specifications may change without notice

MXL Motors

1.5kW - 5kW

Specification

— Continuous Working Area
— Cyclic Working Area (L encoder)



	MXL-	15A	15D	20A	20D	30A	30D	40D	50D
Voltage	VAC	200	400	200	400	300	400	400	400
Rated Output	kW	1.5	1.5	2.0	2.0	3.0	3.0	4.0	5.0
Rated Torque	Nm	4.78	4.78	6.37	6.37	9.80	9.80	12.80	15.90
Instantaneous Peak Torque	Nm	14.30	14.30	19.10	19.10	29.40	29.40	38.40	47.70
Rated Current	Arms	9.5	4.9	12.6	6.4	20.5	10.5	13.0	15.9
Instantaneous Max. Current	Arms	31.6	16.3	42.0	20.5	68.0	33.0	40.0	50.0
Rated Speed	rpm	3000	3000	3000	3000	3000	3000	3000	3000
Max. Speed	rpm	5000	5000	5000	5000	5000	5000	5000	5000
Rotor Moment of Inertia	$\times 10^{-4} \text{kg m}^2$	2.33 (3.10)	2.33 (3.10)	2.95 (3.72)	2.95 (3.72)	7.72 (9.00)	7.72 (9.00)	10.24 (11.6)	14.00 (15.4)
Weight	kg	5.1 (6.4)	5.1 (6.4)	6.1 (7.5)	6.1 (7.5)	10 (12.0)	10.0 (12.0)	12.0 (14.0)	15.5 (17.5)
Brake Rated Voltage	24 Vdc \pm 10%								
Brated Rated Torque	Nm	≥ 8			≥ 20				
Flange	mm	100			130				
Encoder Types	L (23-bit absolute), T (17-bit absolute)								
Shaft end load (Radial)	Nm	686			980				
Shaft end load (Axial)	Nm	196			392				
Insulation Class	F								
Ambient Temperature	0 ~ +40°C (No freezing)								
Ambient Humidity	20% ~ 80% RH (No condensing)								
Vibration	Dynamic $\leq 49\text{m/s}^2$ (5G); Static $\leq 24.5\text{m/s}^2$; Shock $\leq 98\text{m/s}^2$ (10G)								
Enclosure	Totally Enclosed, Self cooled, IP65								

Model	Rated Power	Supply Voltage	Flange	Rated Speed	Encoder	Revision	Shaft End	Option	Connector Type
MXL	04	A	06	30	L	A	2	2	2
AS	0.05kW	A 200V	04 40mm	30 3000RPM	T 17 Bit abs		2 With Key	2 With oil seal	2 IP65
01	0.1kW	D 400V	06 60mm		L 23 Bit abs			4 Oil + brake	4 On motor
02	0.2kW		08 80mm						
04	0.4kW								
08	0.75kW								
10	1kW								

MXL Motors

50W - 1kW

Component Selection - 200V



200V Description	Trio Motor Part #	Motor Model	Trio Encoder Cable Part #	Encoder Cable (with battery)	Trio Encoder Cable Part # (no battery)	Encoder Cable (no battery)	Trio Power Cable Part #	Power Cable
200V, 50W, 23-bit encoder, no brake	M0758	MXL-A5A0430LA222	X0405-X0409	EC3S-A1724-RX-nn	X0400-X0404	EC3S-I1724-RX-nn	X0500-X0504	EC3P-N8718-RX-nn
200V, 50W, 23-bit encoder, with brake	M0869	MXL-A5A0430LA248	X0405-X0409	EC3S-A1724-RX-nn	X0400-X0404	EC3S-I1724-RX-nn	X0505-X0509	EC3P-B8718-RX-nn
200V, 100W, 23-bit encoder, no brake	M0756	MXL-01A0430LA222	X0405-X0409	EC3S-A1724-RX-nn	X0400-X0404	EC3S-I1724-RX-nn	X0500-X0504	EC3P-N8718-RX-nn
200V, 100W, 23-bit encoder, with brake	M0871	MXL-01A0430LA248	X0405-X0409	EC3S-A1724-RX-nn	X0400-X0404	EC3S-I1724-RX-nn	X0505-X0509	EC3P-B8718-RX-nn
200V, 100W, 17-bit encoder, no brake	M0835	MXL-01A0430TA222	X0405-X0409	EC3S-A1724-RX-nn	X0400-X0404	EC3S-I1724-RX-nn	X0500-X0504	EC3P-N8718-RX-nn
200V, 100W, 17-bit encoder, with brake	M0872	MXL-01A0430TA248	X0405-X0409	EC3S-A1724-RX-nn	X0400-X0404	EC3S-I1724-RX-nn	X0505-X0509	EC3P-B8718-RX-nn
200V, 200W, 23-bit encoder, no brake	M0654	MXL-02A0630LA222	X0405-X0409	EC3S-A1724-RX-nn	X0400-X0404	EC3S-I1724-RX-nn	X0500-X0504	EC3P-N8718-RX-nn
200V, 200W, 23-bit encoder, with brake	M0875	MXL-02A0630LA248	X0405-X0409	EC3S-A1724-RX-nn	X0400-X0404	EC3S-I1724-RX-nn	X0505-X0509	EC3P-B8718-RX-nn
200V, 200W, 17-bit encoder, no brake	M0837	MXL-02A0630TA222	X0405-X0409	EC3S-A1724-RX-nn	X0400-X0404	EC3S-I1724-RX-nn	X0500-X0504	EC3P-N8718-RX-nn
200V, 200W, 17-bit encoder, with brake	M0876	MXL-02A0630TA248	X0405-X0409	EC3S-A1724-RX-nn	X0400-X0404	EC3S-I1724-RX-nn	X0505-X0509	EC3P-B8718-RX-nn
200V, 400W, 23-bit encoder, no brake	M0646	MXL-04A0630LA222	X0405-X0409	EC3S-A1724-RX-nn	X0400-X0404	EC3S-I1724-RX-nn	X0500-X0504	EC3P-N8718-RX-nn
200V, 400W, 23-bit encoder, with brake	M0878	MXL-04A0630LA248	X0405-X0409	EC3S-A1724-RX-nn	X0400-X0404	EC3S-I1724-RX-nn	X0505-X0509	EC3P-B8718-RX-nn
200V, 400W, 17-bit encoder, no brake	M0839	MXL-04A0630TA222	X0405-X0409	EC3S-A1724-RX-nn	X0400-X0404	EC3S-I1724-RX-nn	X0500-X0504	EC3P-N8718-RX-nn
200V, 400W, 17-bit encoder, with brake	M0879	MXL-04A0630TA248	X0405-X0409	EC3S-A1724-RX-nn	X0400-X0404	EC3S-I1724-RX-nn	X0505-X0509	EC3P-B8718-RX-nn
200V, 750W, 23-bit encoder, no brake	M0638	MXL-08A0830LA222	X0405-X0409	EC3S-A1724-RX-nn	X0400-X0404	EC3S-I1724-RX-nn	X0500-X0504	EC3P-N8718-RX-nn
200V, 750W, 23-bit encoder, with brake	M0881	MXL-08A0830LA248	X0405-X0409	EC3S-A1724-RX-nn	X0400-X0404	EC3S-I1724-RX-nn	X0505-X0509	EC3P-B8718-RX-nn
200V, 750W, 17-bit encoder, no brake	M0841	MXL-08A0830TA222	X0405-X0409	EC3S-A1724-RX-nn	X0400-X0404	EC3S-I1724-RX-nn	X0500-X0504	EC3P-N8718-RX-nn
200V, 750W, 17-bit encoder, with brake	M0882	MXL-08A0830TA248	X0405-X0409	EC3S-A1724-RX-nn	X0400-X0404	EC3S-I1724-RX-nn	X0505-X0509	EC3P-B8718-RX-nn
200V, 1kW, 23-bit encoder, no brake	M0630	MXL-10A0830LA222	X0405-X0409	EC3S-A1724-RX-nn	X0400-X0404	EC3S-I1724-RX-nn	X0500-X0504	EC3P-N8718-RX-nn
200V, 1kW, 23-bit encoder, with brake	M0884	MXL-10A0830LA248	X0405-X0409	EC3S-A1724-RX-nn	X0400-X0404	EC3S-I1724-RX-nn	X0505-X0509	EC3P-B8718-RX-nn
200V, 1kW, 17-bit encoder, no brake	M0843	MXL-10A0830TA222	X0405-X0409	EC3S-A1724-RX-nn	X0400-X0404	EC3S-I1724-RX-nn	X0500-X0504	EC3P-N8718-RX-nn
200V, 1kW, 17-bit encoder, with brake	M0885	MXL-10A0830TA248	X0405-X0409	EC3S-A1724-RX-nn	X0400-X0404	EC3S-I1724-RX-nn	X0505-X0509	EC3P-B8718-RX-nn

The "nn" at the end of the ENCODER CABLE code represents the cable length: E.g: EC3S-I1724-RX-10 = 10 metre cable
 valid lengths are: 1M5, 05, 10, 15, 20. All lengths are in Metres

All "RX" cable are flexible and suitable for drag chain applications

Preliminary specifications may change without notice

MXL Motors

1.5kW - 5kW

Component Selection - 200V | 400V



200V Description	Trio Motor Part #	Motor Model	Trio Encoder Cable Part #	Encoder Cable (with battery)	Trio Encoder Cable Part # (no battery)	Encoder Cable (no battery)	Trio Power Cable Part #	Power Cable
200V, 1.5kW, 23-bit encoder, no brake	M0761	MXL-15A1030LB224	X0440-X0444	EC3S-A1924-RX-nn	X0435-X0439	EC3S-I1924-RX-nn	X0510-X0514	EC3P-N9314-RX-nn
200V, 1.5kW, 23-bit encoder, with brake	M0762	MXL-15A1030LB244	X0440-X0444	EC3S-A1924-RX-nn	X0435-X0439	EC3S-I1924-RX-nn	X0515-X0519	EC3P-B9314-RX-nn
200V, 1.5kW, 17-bit encoder, no brake	M0773	MXL-15A1030TB224	X0440-X0444	EC3S-A1924-RX-nn	X0435-X0439	EC3S-I1924-RX-nn	X0510-X0514	EC3P-N9314-RX-nn
200V, 1.5kW, 17-bit encoder, with brake	M0774	MXL-15A1030TB244	X0440-X0444	EC3S-A1924-RX-nn	X0435-X0439	EC3S-I1924-RX-nn	X0515-X0519	EC3P-B9314-RX-nn
200V, 2kW, 23-bit encoder, no brake	M0763	MXL-20A1030LB224	X0440-X0444	EC3S-A1924-RX-nn	X0435-X0439	EC3S-I1924-RX-nn	X0510-X0514	EC3P-N9314-RX-nn
200V, 2kW, 23-bit encoder, with brake	M0764	MXL-20A1030LB244	X0440-X0444	EC3S-A1924-RX-nn	X0435-X0439	EC3S-I1924-RX-nn	X0515-X0519	EC3P-B9314-RX-nn
200V, 2kW, 17-bit encoder, no brake	M0779	MXL-20A1030TB224	X0440-X0444	EC3S-A1924-RX-nn	X0435-X0439	EC3S-I1924-RX-nn	X0510-X0514	EC3P-N9314-RX-nn
200V, 2kW, 17-bit encoder, with brake	M0780	MXL-20A1030TB244	X0440-X0444	EC3S-A1924-RX-nn	X0435-X0439	EC3S-I1924-RX-nn	X0515-X0519	EC3P-B9314-RX-nn
200V, 3kW, 23-bit encoder, no brake	M0765	MXL-30A1330LA224	X0440-X0444	EC3S-A1924-05	X0435-X0439	EC3S-I1924-05	X0510-X0514	EC3P-N9314-RX-nn
200V, 3kW, 23-bit encoder, with brake	M0766	MXL-30A1330LA244	X0440-X0444	EC3S-A1924-05	X0435-X0439	EC3S-I1924-05	X0515-X0519	EC3P-B9314-RX-nn
200V, 3kW, 17-bit encoder, no brake	M0845	MXL-30A1330TA224	X0440-X0444	EC3S-A1924-05	X0435-X0439	EC3S-I1924-05	X0510-X0514	EC3P-N9314-RX-nn
200V, 3kW, 17-bit encoder, with brake	M0846	MXL-30A1330TA244	X0440-X0444	EC3S-A1924-05	X0435-X0439	EC3S-I1924-05	X0515-X0519	EC3P-B9314-RX-nn

400V Description	Trio Motor Part #	Motor Model	Trio Encoder Cable Part #	Encoder Cable (with battery)	Trio Encoder Cable Part # (no battery)	Encoder Cable (no battery)	Trio Power Cable Part #	Power Cable
400V, 1.5kW, 23-bit encoder, no brake	M0775	MXL-15D1030LB224	X0440-X0444	EC3S-A1924-RX-nn	X0435-X0439	EC3S-I1924-RX-nn	X0510-X0514	EC3P-N9314-RX-nn
400V, 1.5kW, 23-bit encoder, with brake	M0776	MXL-15D1030LB244	X0440-X0444	EC3S-A1924-RX-nn	X0435-X0439	EC3S-I1924-RX-nn	X0515-X0519	EC3P-B9314-RX-nn
400V, 1.5kW, 17-bit encoder, no brake	M0777	MXL-15D1030TB224	X0440-X0444	EC3S-A1924-RX-nn	X0435-X0439	EC3S-I1924-RX-nn	X0510-X0514	EC3P-N9314-RX-nn
400V, 1.5kW, 17-bit encoder, with brake	M0778	MXL-15D1030TB244	X0440-X0444	EC3S-A1924-RX-nn	X0435-X0439	EC3S-I1924-RX-nn	X0515-X0519	EC3P-B9314-RX-nn
400V, 2kW, 23-bit encoder, no brake	M0781	MXL-20D1030LB224	X0440-X0444	EC3S-A1924-RX-nn	X0435-X0439	EC3S-I1924-RX-nn	X0510-X0514	EC3P-N9314-RX-nn
400V, 2kW, 23-bit encoder, with brake	M0772	MXL-20D1030LB244	X0440-X0444	EC3S-A1924-RX-nn	X0435-X0439	EC3S-I1924-RX-nn	X0515-X0519	EC3P-B9314-RX-nn
400V, 2kW, 17-bit encoder, no brake	M0782	MXL-20D1030TB224	X0440-X0444	EC3S-A1924-RX-nn	X0435-X0439	EC3S-I1924-RX-nn	X0510-X0514	EC3P-N9314-RX-nn
400V, 2kW, 17-bit encoder, with brake	M0783	MXL-20D1030TB244	X0440-X0444	EC3S-A1924-RX-nn	X0435-X0439	EC3S-I1924-RX-nn	X0515-X0519	EC3P-B9314-RX-nn
400V, 3kW, 23-bit encoder, no brake	M0784	MXL-30D1330LA224	X0440-X0444	EC3S-A1924-RX-nn	X0435-X0439	EC3S-I1924-RX-nn	X0510-X0514	EC3P-N9314-RX-nn
400V, 3kW, 23-bit encoder, with brake	M0785	MXL-30D1330LA244	X0440-X0444	EC3S-A1924-RX-nn	X0435-X0439	EC3S-I1924-RX-nn	X0515-X0519	EC3P-B9314-RX-nn
400V, 3kW, 17-bit encoder, no brake	M0847	MXL-30D1330TA224	X0440-X0444	EC3S-A1924-RX-nn	X0435-X0439	EC3S-I1924-RX-nn	X0510-X0514	EC3P-N9314-RX-nn
400V, 3kW, 17-bit encoder, with brake	M0848	MXL-30D1330TA244	X0440-X0444	EC3S-A1924-RX-nn	X0435-X0439	EC3S-I1924-RX-nn	X0515-X0519	EC3P-B9314-RX-nn
400V, 4kW, 23-bit encoder, no brake	M0786	MXL-40D1330LA224	X0440-X0444	EC3S-A1924-RX-nn	X0435-X0439	EC3S-I1924-RX-nn	X0580-X0584	EC3P-N9319-RX-nn
400V, 4kW, 23-bit encoder, with brake	M0787	MXL-40D1330LA244	X0440-X0444	EC3S-A1924-RX-nn	X0435-X0439	EC3S-I1924-RX-nn	X0585-X0589	EC3P-B9319-RX-nn
400V, 4kW, 17-bit encoder, no brake	M0849	MXL-40D1330TA224	X0440-X0444	EC3S-A1924-RX-nn	X0435-X0439	EC3S-I1924-RX-nn	X0580-X0584	EC3P-N9319-RX-nn
400V, 4kW, 17-bit encoder, with brake	M0850	MXL-40D1330TA244	X0440-X0444	EC3S-A1924-RX-nn	X0435-X0439	EC3S-I1924-RX-nn	X0585-X0589	EC3P-B9319-RX-nn
400V, 5kW, 23-bit encoder, no brake	M0788	MXL-50D1330LA224	X0440-X0444	EC3S-A1924-RX-nn	X0435-X0439	EC3S-I1924-RX-nn	X0580-X0584	EC3P-N9319-RX-nn
400V, 5kW, 23-bit encoder, with brake	M0789	MXL-50D1330LA244	X0440-X0444	EC3S-A1924-RX-nn	X0435-X0439	EC3S-I1924-RX-nn	X0585-X0589	EC3P-B9319-RX-nn
400V, 5kW, 17-bit encoder, no brake	M0851	MXL-50D1330TA224	X0440-X0444	EC3S-A1924-RX-nn	X0435-X0439	EC3S-I1924-RX-nn	X0580-X0584	EC3P-N9319-RX-nn
400V, 5kW, 17-bit encoder, with brake	M0852	MXL-50D1330TA244	X0440-X0444	EC3S-A1924-RX-nn	X0435-X0439	EC3S-I1924-RX-nn	X0585-X0589	EC3P-B9319-RX-nn

The "nn" at the end of the ENCODER CABLE code represents the cable length: E.g: EC3S-I1724-RX-10 = 10 metre cable
valid lengths are: 1M5, 05, 10, 15, 20. All lengths are in Metres

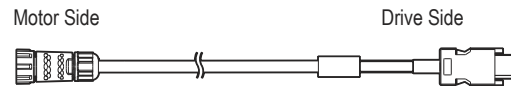
All "RX" cable are flexible and suitable for drag chain applications

CABLES

Encoder Cables

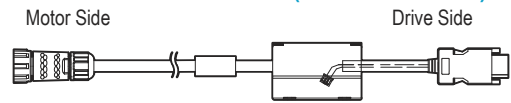
MXL Motors (50W - 1kW)

EC3S-I1724-RX-nn (Inc Encoder)



Pin	Signal	Pin	Signal
1	S+	7	S+
2	S-	8	S-
3	BAT+	9	BAT+
4	MA+	5	MA+
5	MA-	6	MA-
6	PG5V	1	PG5V
7	PG0V	2	PG0V
8	BAT-	10	BAT-
9	FG	Shell	FG

EC3S-A1724-RX-nn (Abs Encoder)



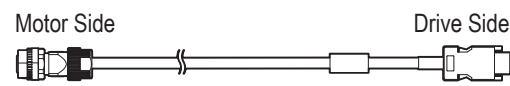
Pin	Signal	Pin	Signal
1	S+	7	S+
2	S-	8	S-
3	BAT+	9	BAT+
4	MA+	5	MA+
5	MA-	6	MA-
6	PG5V	1	PG5V
7	PG0V	2	PG0V
8	BAT-	10	BAT-
9	FG	Shell	FG

Yellow/Black ⊖ ⊕ Yellow

Preliminary specifications may change without notice

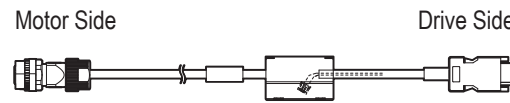
MXL Motors (1.5kW - 5kW)

EC3S-I1924-RX-nn (Inc Encoder)



Pin	Signal	Colour	Pin	Signal	Colour
1	S+	Blue	7	S+	Blue
2	S-	Blue/Black	8	S-	Blue/Black
3	BAT+	Yellow	9	BAT+	Yellow
4	BAT-	Yellow/Black	10	BAT-	Yellow/Black
8	PG5V	Red	1	PG5V	Red
7	PG0V	Black	2	PG0V	Red
10	FG	-	shell	FG	-

EC3S-A1924-RX-nn (Abs Encoder)



Pin	Signal	Colour	Pin	Signal	Colour
1	S+	Blue	7	S+	Blue
2	S-	Blue/Black	8	S-	Blue/Black
3	BAT+	Yellow	9	BAT+	Yellow
4	BAT-	Yellow/Black	10	BAT-	Yellow/Black
8	PG5V	Red	1	PG5V	Red
7	PG0V	Black	2	PG0V	Red
10	FG	-	shell	FG	-

Blue/Black ⊕ ⊖ Yellow

10

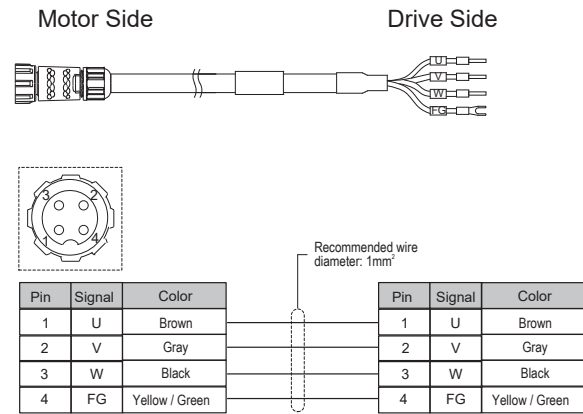
- THE MOTION SPECIALIST -

CABLES

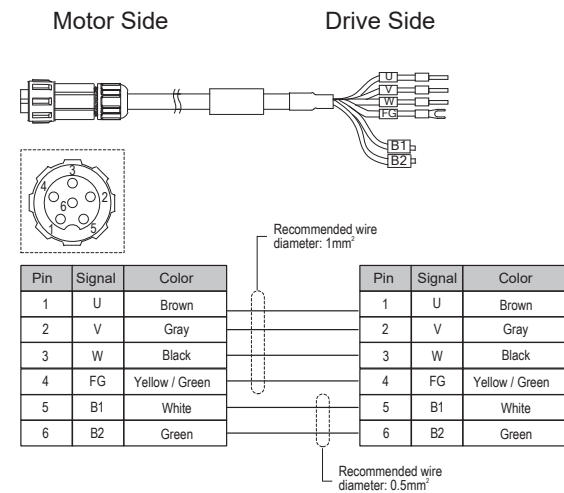
Power Cables

MXL Motors (50W - 1kW)

EC3P-N8718-RX-nn (No Brake)

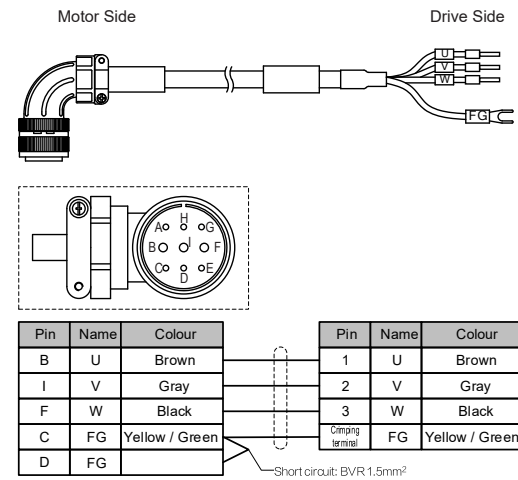


EC3P-B8718-RX-nn (Brake)

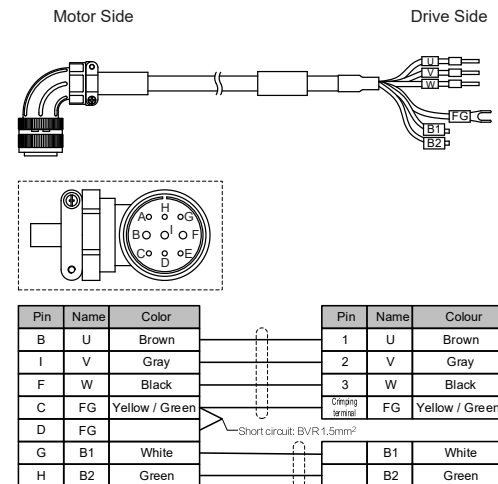


MXL Motors (1.5kW - 3kW)

EC3P-N9314-RX-nn (No Brake)

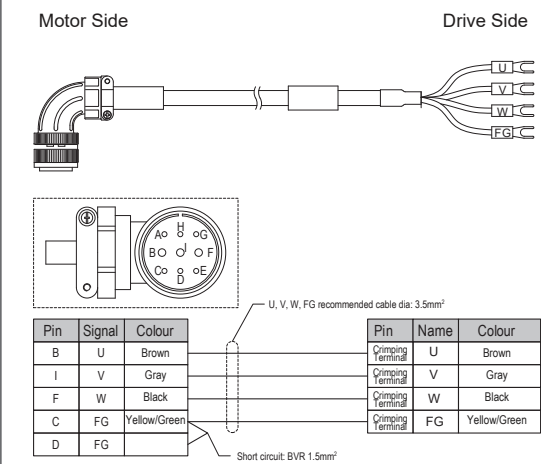


EC3P-B9314-RX-nn (Brake)

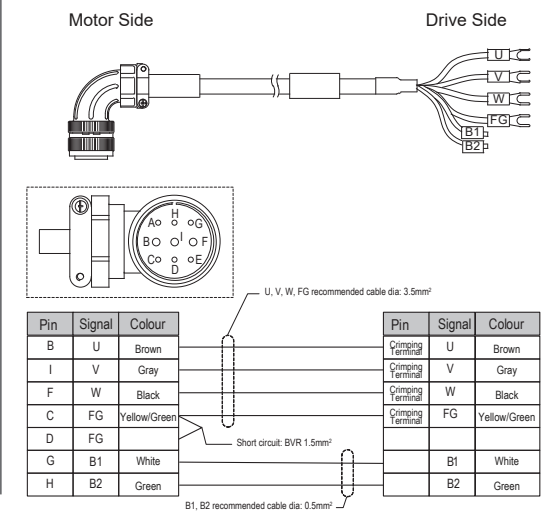


MXL Motors (4kW - 5kW)

EC3P-N9319-RX-nn (No Brake)



EC3P-B9319-RX-nn (Brake)



CABLES

Encoder Cables

Component Selection

Trio part #	Cable	Description
X0400	EC3S-I1724-RX-1M5	1.5m Encoder cable, no battery (50W - 1kW)
X0401	EC3S-I1724-RX-05	5m Encoder cable, no battery (50W - 1kW)
X0402	EC3S-I1724-RX-10	10m Encoder cable, no battery (50W - 1kW)
X0403	EC3S-I1724-RX-15	15m Encoder cable, no battery (50W - 1kW)
X0404	EC3S-I1724-RX-20	20m Encoder cable, no battery (50W - 1kW)
X0405	EC3S-A1724-RX-1M5	1.5m Encoder cable, with battery (50W - 1kW)
X0406	EC3S-A1724-RX-05	5m Encoder cable, with battery (50W - 1kW)
X0407	EC3S-A1724-RX-10	10m Encoder cable, with battery (50W - 1kW)
X0408	EC3S-A1724-RX-15	15m Encoder cable, with battery (50W - 1kW)
X0409	EC3S-A1724-RX-20	20m Encoder cable, with battery (50W - 1kW)
X0435	EC3S-I1924-RX-1M5	1.5m Encoder cable, no battery (1.5kW - 5kW)
X0436	EC3S-I1924-RX-05	5m Encoder cable, no battery (1.5kW - 5kW)
X0437	EC3S-I1924-RX-10	10m Encoder cable, no battery (1.5kW - 5kW)
X0438	EC3S-I1924-RX-15	15m Encoder cable, no battery (1.5kW - 5kW)
X0439	EC3S-I1924-RX-20	20m Encoder cable, no battery (1.5kW - 5kW)
X0440	EC3S-A1924-RX-1M5	1.5m Encoder cable, with battery (1.5kW - 5kW)
X0441	EC3S-A1924-RX-05	5m Encoder cable, with battery (1.5kW - 5kW)
X0442	EC3S-A1924-RX-10	10m Encoder cable, with battery (1.5kW - 5kW)
X0443	EC3S-A1924-RX-15	15m Encoder cable, with battery (1.5kW - 5kW)
X0444	EC3S-A1924-RX-20	20m Encoder cable, with battery (1.5kW - 5kW)
X0600	EC3S-I1724-XX	Encoder cable connectors only, no battery (50W - 1kW)
X0601	EC3S-A1724-XX	Encoder cable connectors only, with battery (50W - 1kW)
X0606	EC3S-I1924-XX	Encoder cable connectors only, no battery (1.5kW - 5kW)
X0607	EC3S-A1924-XX	Encoder cable connectors only, with battery (1.5kW - 5kW)

The "nn" at the end of the ENCODER CABLE code represents the cable length:
 E.g: EC3S-I1724-RX-10 = 10 metre cable
 valid lengths are: 1M5, 05, 10, 15, 20. All lengths are in Metres

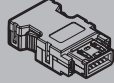
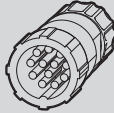
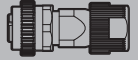
All "RX" cable are flexible and suitable for drag chain applications

Preliminary specifications may change without notice



Encoder Cables Connectors

Component Selection

Description	Function	
Encoder plug (Drive)	DX Drive X0600, X0601, X0607, X0608	
Encoder plug (Motor) (waterproof lead)	MXL motor (0.05kW ~ 1kW) X0600 - EC3S-I1724-XX X0601 - EC3S-A1724-XX	
Encoder plug (Motor) (straight, 10pin, 3A)	MXL motor (1.5kW ~ 5kW) X0606 - EC3S-I1924-XX X0607 - EC3S-A1924-XX	

N.B: Encoder cable connector pack includes motor side and drive drive side connector



CABLES

Power Cables

Component Selection

Trio part #	Cable	Description
X0500	EC3P-N8718-RX-1M5	1.5m Power cable, no brake (50W - 1kW)
X0501	EC3P-N8718-RX-05	5m Power cable, no brake (50W - 1kW)
X0502	EC3P-N8718-RX-10	10m Power cable, no brake (50W - 1kW)
X0503	EC3P-N8718-RX-15	15m Power cable, no brake (50W - 1kW)
X0504	EC3P-N8718-RX-20	20m Power cable, no brake (50W - 1kW)
X0590	EC3P-B918-RX-1M5	1.5m Power cable, with brake (50W - 1kW)
X0591	EC3P-B8918-RX-05	5m Power cable, with brake (50W - 1kW)
X0592	EC3P-B8918-RX-10	10m Power cable, with brake (50W - 1kW)
X0593	EC3P-B8918-RX-15	15m Power cable, with brake (50W - 1kW)
X0594	EC3P-B8918-RX-20	20m Power cable, with brake (50W - 1kW)
X0510	EC3P-N9314-RX-1M5	1.5m Power cable, no brake (1.5kW - 3kW)
X0511	EC3P-N9314-RX-05	5m Power cable, no brake (1.5kW - 3kW)
X0512	EC3P-N9314-RX-10	10m Power cable, no brake (1.5kW - 3kW)
X0513	EC3P-N9314-RX-15	15m Power cable, no brake (1.5kW - 3kW)
X0514	EC3P-N9314-RX-20	20m Power cable, no brake (1.5kW - 3kW)
X0515	EC3P-B9314-RX-1M5	1.5m Power cable, with brake (1.5kW - 3kW)
X0516	EC3P-B9314-RX-05	5m Power cable, with brake (1.5kW - 3kW)
X0517	EC3P-B9314-RX-10	10m Power cable, with brake (1.5kW - 3kW)
X0518	EC3P-B9314-RX-15	15m Power cable, with brake (1.5kW - 3kW)
X0519	EC3P-B9314-RX-20	20m Power cable, with brake (1.5kW - 3kW)
X0580	EC3P-N9319-RX-1M5	1.5m Power cable, no brake (4kW - 5kW)
X0581	EC3P-N9319-RX-05	5m Power cable, no brake (4kW - 5kW)
X0582	EC3P-N9319-RX-10	10m Power cable, no brake (4kW - 5kW)
X0583	EC3P-N9319-RX-15	15m Power cable, no brake (4kW - 5kW)
X0584	EC3P-N9319-RX-20	20m Power cable, no brake (4kW - 5kW)
X0585	EC3P-B9319-RX-1M5	1.5m Power cable, with brake (4kW - 5kW)
X0586	EC3P-B9319-RX-05	5m Power cable, with brake (4kW - 5kW)
X0587	EC3P-B9319-RX-10	10m Power cable, with brake (4kW - 5kW)
X0588	EC3P-B9319-RX-15	15m Power cable, with brake (4kW - 5kW)
X0589	EC3P-B9319-RX-20	20m Power cable, with brake (4kW - 5kW)
X0708	EC3P-N8718-XX	Power cable connector only, no brake (50W - 1kW)
X0721	EC3P-B8918-XX	Power cable connector only, with brake (50W - 1kW)
X0710	EC3P-N9314-XX	Power cable connector only, no brake (1.5kW - 3kW)
X0711	EC3P-B9314-XX	Power cable connector only, with brake (1.5kW - 3kW)
X0718	EC3P-N9319-XX	Power cable connector only, no brake (4kW - 5kW)
X0719	EC3P-B9319-XX	Power cable connector only, with brake (4kW - 5kW)



Motor Cables Connectors

Component Selection

Description	Function	
Motor power plug (without brake, waterproof lead)	MXL motor (0.05kW ~ 1kW) X0708 - EC3P-N8718-XX X0721 - EC3P-B8918-XX	
Motor power plug (with brake, waterproof lead)	MXL motor (0.05kW ~ 1kW) X0708 - EC3P-N8718-XX X0709 - EC3P-B8718-XX	
Motor power plug (right angle, 9pin, 13A, 23A)	MXL motor (1.5kW~5.0kW) X0710 - EC3P-N9314-XX X0711 - EC3P-B9313-XX X0718 - EC3P-N9319-XX X0719 - EC3P-B9139-XX	

N.B: Power cable connector pack includes only motor side connector as drive side connector is included with the drive



MXM Motors

Medium Inertia Medium Speed Servo Motors

Motors Matched to DX Drives

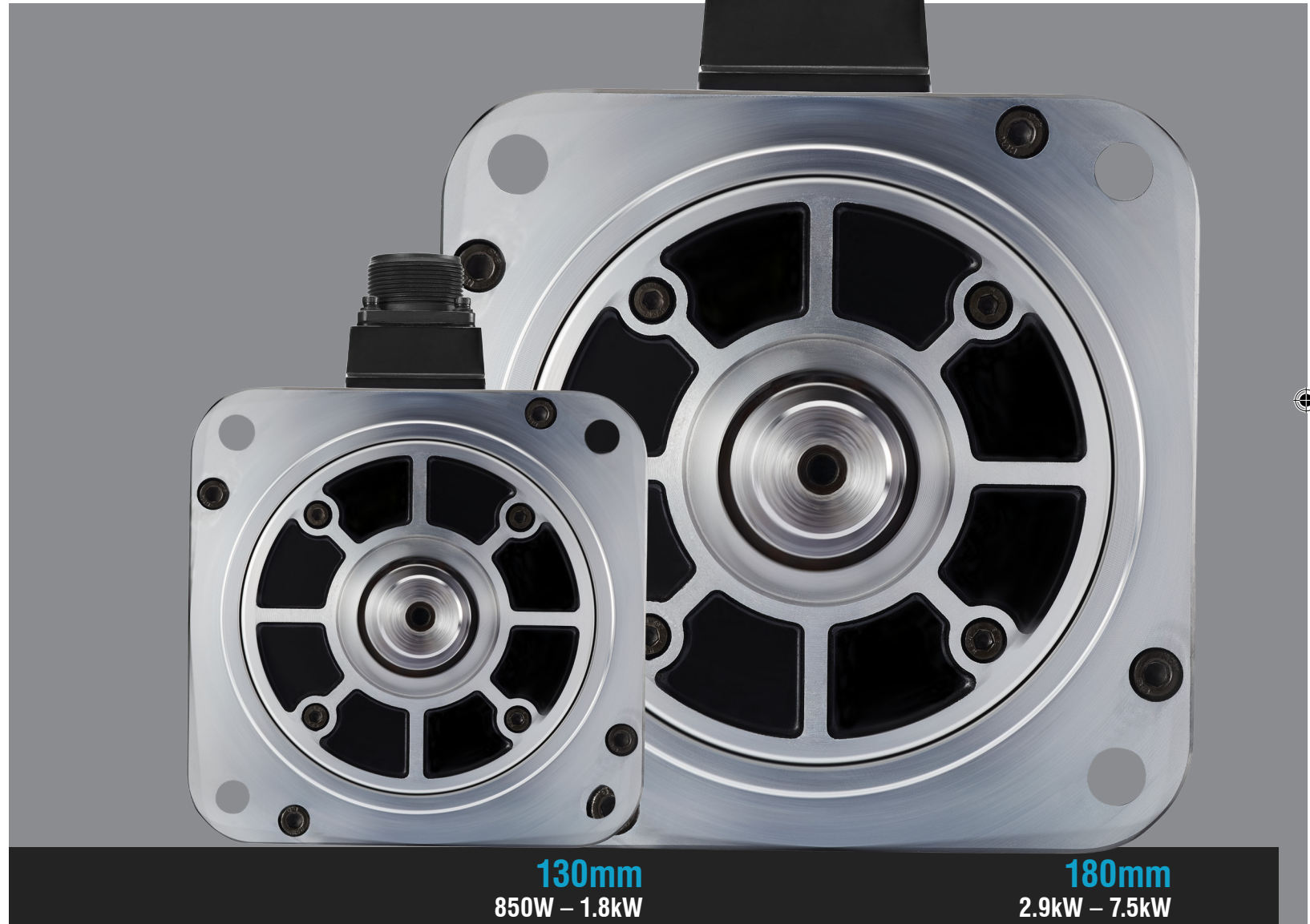


The MXM family of servo motors include solutions with absolute or incremental encoders, are suitable for application speeds up to 3000 rpm, include variants with an integrated brake.

Medium inertia allows fast response times and these motors develop a high torque despite their small size. In combination with our servo drives, they are ideal for applications with high dynamic responses and fast and precise positioning.

AT A GLANCE

- * Power range:
850W to 1.8kW (200V)
850W to 7.5kW (400V)
- * Mid inertia
- * Rated speed 1500 RPM (Max speed 3000 RPM)
- * 23-bit absolute encoder or 17-bit absolute encoder
- * IP65 rated
- * Oil seal as standard
- * Optional brake
- * Compatible with Trio DX drives



Preliminary specifications may change without notice



MXM Motors

Medium Inertia Medium Speed Servo Motors

Motors Matched to DX Drives



Model	Rated Power	Supply Voltage	Flange	Rated Speed	Encoder	Revision	Shaft End	Option	Connector Type
MXM -	29	D	18	15	L	A	2	2	4

09	850W
13	1.3kW
18	1.8kW
29	2.9kW
44	4.4kW
55	5.5kW
75	7.5kW

A	200V	13	130mm
D	400V	18	180mm

15	1500RPM	T	17 Bit abs
		L	23 Bit abs

2	With Key	2	With oil seal	4	On motor
		4	Oil + brake		



	MXM	DX3	DX4	DX5
200V	850W	✓	✓	
	1.3kW	✓	✓	
	1.8kW	✓	✓	
400V	850W	✓		
	1.3kW	✓		
	1.8kW	✓		
	2.9kW	✓		
	4.4kW	✓		
	5.5kW	✓		
	7.5kW	✓		

15

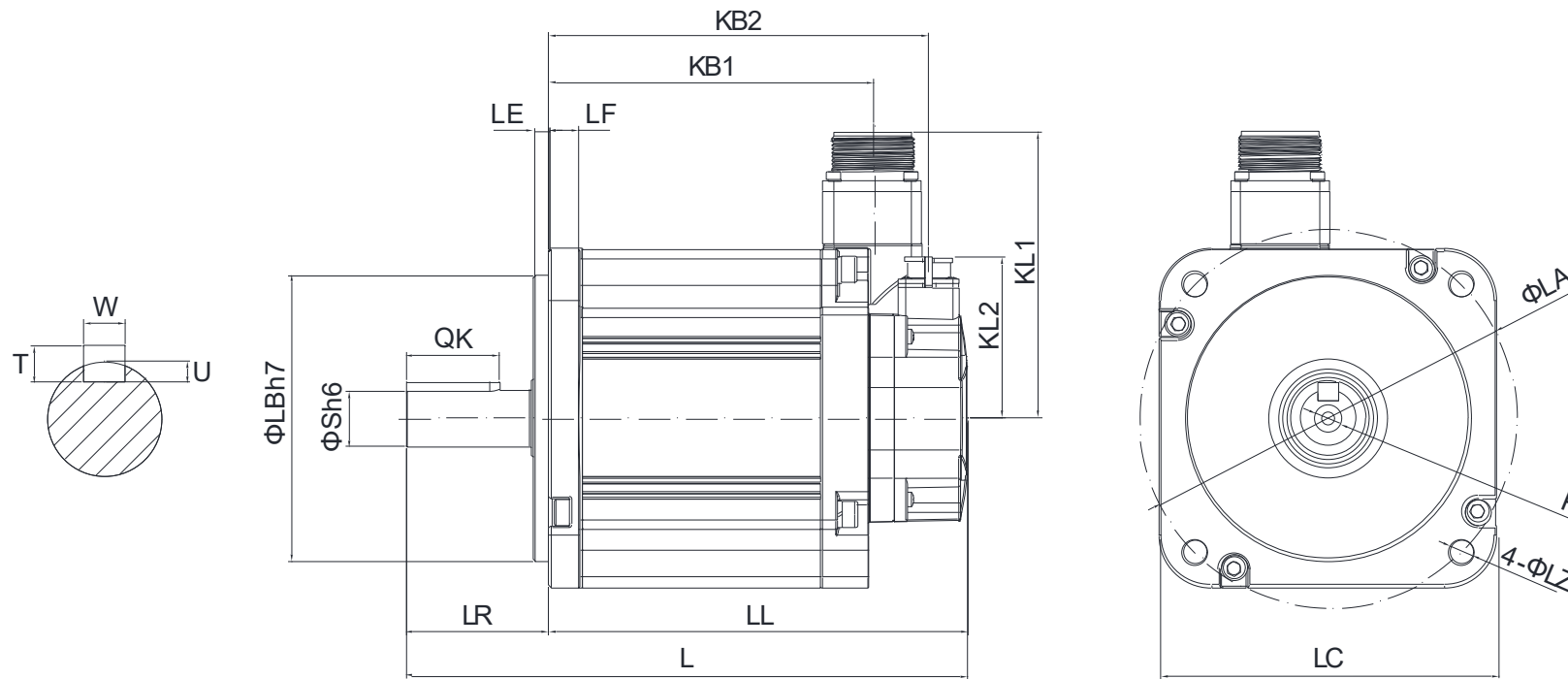
- THE MOTION SPECIALIST -

Preliminary specifications may change without notice

MXM

Motors (850W - 1.8kW)

Specification



Power	Model (MXM-)	L	LL	KB1	KB2	KL1	KL2	Flange Side							S	P	Key			
								LR	LE	LF	LC	LA	LB	LZ			QK	W	T	U
850W	09A/09D	185 (215)	131 (161)	94.5	116 (146)	112	58.5	55	6	12	130	145	110	9	22	M6x 20	32	8	7	4
1.3kW	13A/13D	200 (230)	146 (176)	109.5	131 (161)	112	58.5	55	6	12	130	145	110	9	22	M6x 20	32	8	7	4
1.8kW	18A/18D	215 (245)	161 (191)	124.5	146 (176)	112	58.5	55	6	12	130	145	110	9	22	M6x 20	32	8	7	4



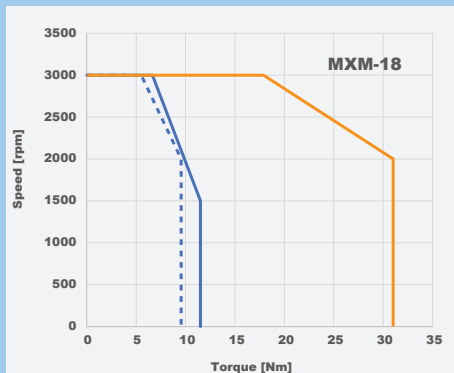
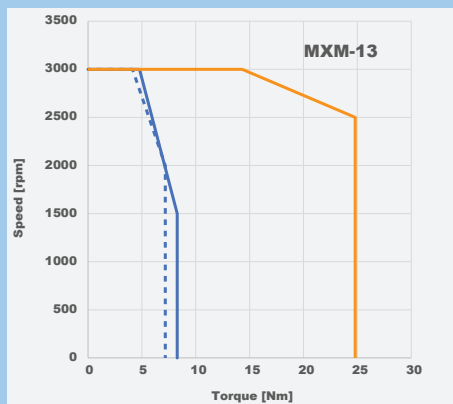
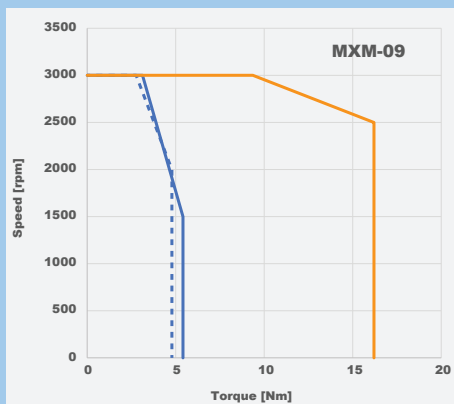
Preliminary specifications may change without notice



MXM

Motors (850W - 1.8kW)

Specification



- - - Continuous Working Area-1
— Continuous Working Area-2
— Cyclic Working Area

Servo Motor Detail		MXM-09A	MXM-09D	MXM-13A	MXM-13D	MXM-18A	MXM-18D
Voltage	VAC	200	400	200	400	200	400
Rated Output	kW	0.85	1.0	0.85	1.0	1.3	1.5
Rated Torque	Nm	5.41	4.78	5.41	4.78	8.28	7.17
Instantaneous Peak Torque	Nm	16.2	16.2	16.2	16.2	24.8	24.8
Rated Current	Arms	6.8	6.4	3.4	3.1	9.7	8.8
Instantaneous Max Current	Arms	22.6	22.6	10.9	10.9	29.7	29.7
Rated Speed	r/min	1500	2000	1500	2000	1500	2000
Max. Speed	r/min	3000	3000	3000	3000	3000	3000
Rotor Moment of Inertia	x10 ⁻⁴ kg m ²	11.90 (12.5)	11.90 (12.5)	17.30 (17.9)	17.30 (17.9)	22.30 (22.9)	22.30 (22.9)
Weight	kg	5.6 (7.3)	5.6 (7.3)	7.0 (8.7)	7.0 (8.7)	8.3 (10.0)	8.3 (10.0)
Brake Rated Voltage		24 Vdc ± 10%					
Brated Rated Torque	Nm	≥20					
Flange	mm	130	130	130	130	130	130
Encoder Types		T (17-bit absolute), L (23-bit absolute)					
Shaft end load (Radial)	N	490	490	686	686	980	980
Shaft end load (Axial)	N	98	98	343	343	392	392
Insulation Class		F					
Ambient Temperature		0 ~ +40°C (No freezing)					
Ambient Humidity		20% ~ 80% RH (No condensing)					
Vibration		Dynamic ≤ 49m/s ² (5G); Static ≤ 24.5m/s ² ; Shock ≤ 98m/s ² (10G)					
Enclosure		Totally Enclosed, Self cooled, IP65					

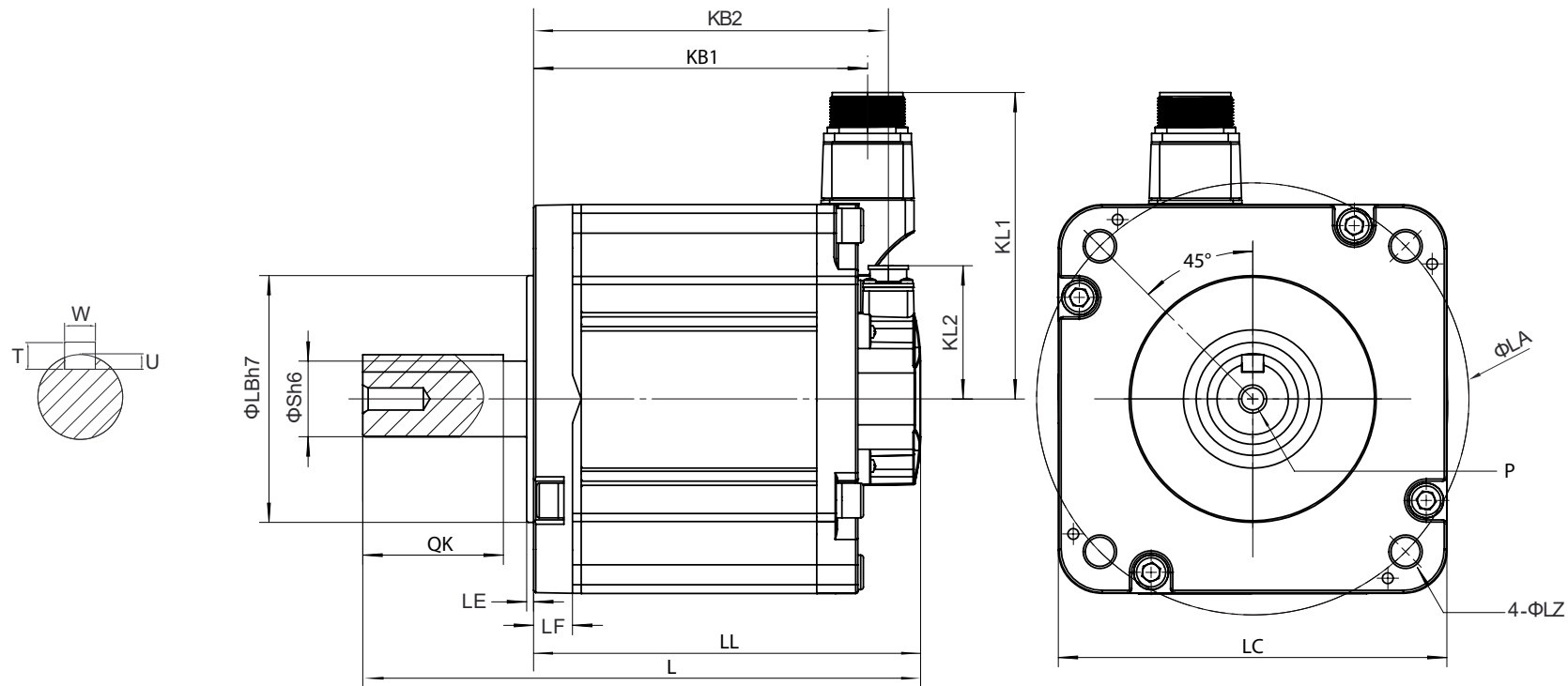
Model	Rated Power	Supply Voltage	Flange	Rated Speed	Encoder	Revision	Shaft End	Option	Connector Type
MXM - 13	13	A	13	15	L	A	2	2	4

09	850W	A	200V	13	130mm	15	1500RPM	T	17 Bit abs	2	With Key	2	With oil seal	4	On motor
13	1.3kW	D	400V	18	180mm			L	23 Bit abs			4	Oil + brake		
18	1.8kW														
29	2.9kW														
44	4.4kW														
55	5.5kW														
75	7.5kW														

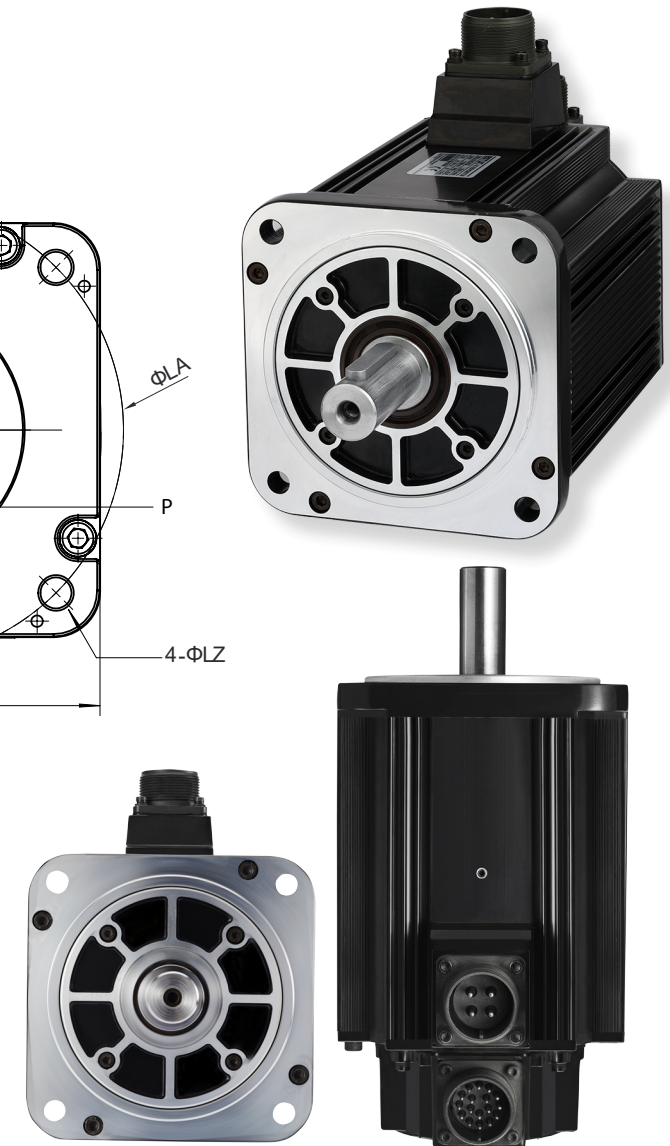
MXM

Motors (2.9kW - 7.5kW)

Specification



Power	Model (MXM-)	L	LL	KB1	KB2	KL1	KL2	Flange Side						S	P	Key				
								LR	LE	LF	LC	LA	LB			LZ	QK	W	T	U
2.9kW	29D	239 (284)	160 (205)	135.5 (139.8)	145.5 (190.2)	142	62	79	3.2	18	180	200	114.3	13.5	35	M8 x 16	65	10	8	3
4.4kW	44D	258 (303)	179 (224)	154.5 (158.8)	164.5 (209.2)	142	62	79	3.2	18	180	200	114.3	13.5	35	M8 x 16	65	10	8	3
5.5kW	55D	324 (377)	221 (264)	186.5 (198.8)	196.5 (249.2)	142	62	113	3.2	18	180	200	114.3	13.5	42	M8 x 16	96	12	10	3
7.5kW	75D	360 (413)	247 (300)	222.5 (234.8)	235.5 (285.2)	142	62	113	3.2	18	180	200	114.3	13.5	42	M8 x 16	96	12	10	3



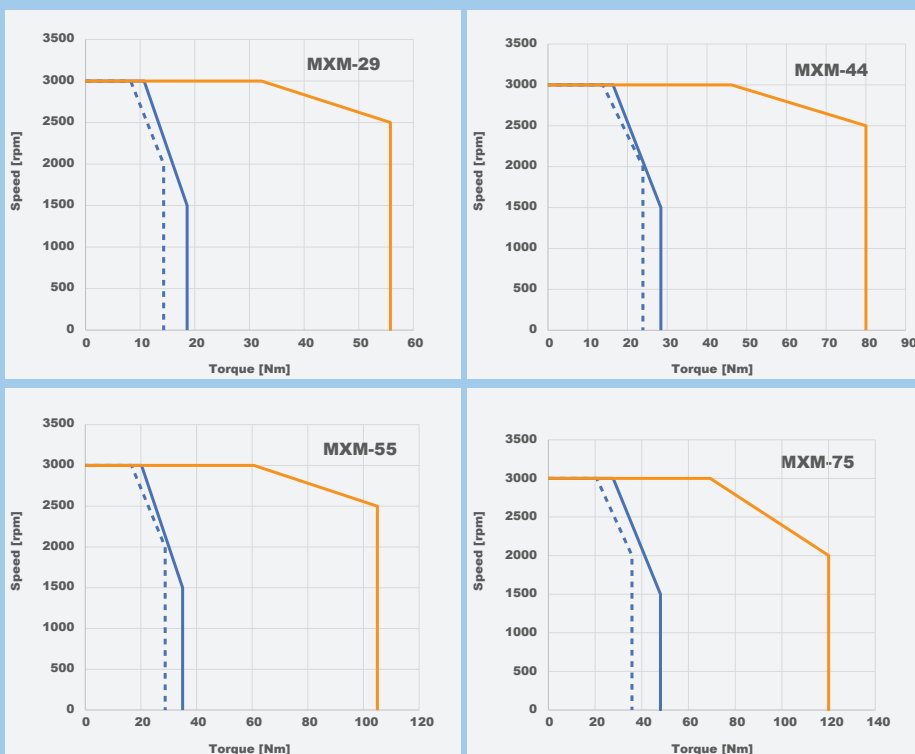
Preliminary specifications may change without notice



MXM

Motors (2.9kW - 7.5kW)

Specification



- - - Continuous Working Area-1
- Continuous Working Area-2
- Cyclic Working Area

Servo Motor Detail		MXM-29D		MXM-44D		MXM-55D		MXM-75D	
Voltage	VAC	400		400		400		400	
Rated Output	kW	2.9	3.0	4.4	5.0	5.5	6.0	7.50	7.50
Rated Torque	Nm	18.6	14.3	28.4	23.9	35.0	28.7	48.0	35.8
Instantaneous Peak Torque	Nm	55.8	55.8	80.0	80.0	105.0	105.0	120.0	120.0
Rated Current	Arms	11.5	9.1	16.8	14.5	20.3	17.1	26.5	20.8
Instantaneous Max Current	Arms	37.0	37.0	49.5	49.5	64.0	64.0	70.0	70.0
Rated Speed	r/min	1500	2000	1500	2000	1500	2000	1500	2000
Max. Speed	r/min	3000		3000		3000		3000	
Rotor Moment of Inertia	x10-4kg m2	43.4 (49.2)		58.8 (64.6)		85.5 (91.5)		116.8 (123.0)	
Weight	kg	14.6 (18.8)		17.6 (21.8)		23.2 (27.8)		29 (33.6)	
Brake Rated Voltage		24 Vdc ± 10%							
Brated Rated Torque	Nm	≥44				≥72			
Flange	mm	180		180		180		180	
Encoder Types		T (17-bit absolute), L (23-bit absolute)							
Shaft end load (Radial)	N	1470		1740		1764		1764	
Shaft end load (Axial)	N	490		490		588		588	
Insulation Class		F							
Ambient Temperature		0 ~ +40°C (No freezing)							
Ambient Humidity		20% ~ 80% RH (No condensing)							
Vibration		Dynamic ≤ 49m/s2 (5G); Static ≤ 24.5m/s2; Shock ≤ 98m/s2 (10G)							
Enclosure		Totally Enclosed, Self cooled, IP65							

Model	Rated Power	Supply Voltage	Flange	Rated Speed	Encoder	Revision	Shaft End	Option	Connector Type						
MXM - 44	44	D	18	15	L	A	2	2	4						
29	2.9kW	A	200V	13	130mm	15	1500RPM	T	17 Bit abs	2	With Key	2	With oil seal	4	On motor
44	4.4kW	D	400V	18	180mm			L	23 Bit abs			4	Oil + brake		
55	5.5kW														
75	7.5kW														

MXM Motors

850W - 1.8kW (200V and 400V)

Component Selection

200V Description	Trio Motor Part #	Motor Model	Trio Encoder Cable Part #	Encoder Cable (with battery)	Trio Encoder Cable Part # (no battery)	Encoder Cable (no battery)	Trio Power Cable Part #	Power Cable
200V, 850W, 23-bit encoder, no brake	M0767	MXM-09A1315LA224	X0440-X0444	EC3S-A1924-RX-nn	X0435-X0439	EC3S-I1924-RX-nn	X0510-X0514	EC3P-N9314-RX-nn
200V, 850W, 23-bit encoder, with brake	M0768	MXM-09A1315LA244	X0440-X0444	EC3S-A1924-RX-nn	X0435-X0439	EC3S-I1924-RX-nn	X0515-X0519	EC3P-B9314-RX-nn
200V, 850W, 17-bit encoder, no brake	M0790	MXM-09A1315TA224	X0440-X0444	EC3S-A1924-RX-nn	X0435-X0439	EC3S-I1924-RX-nn	X0510-X0514	EC3P-N9314-RX-nn
200V, 850W, 17-bit encoder, with brake	M0791	MXM-09A1315TA244	X0440-X0444	EC3S-A1924-RX-nn	X0435-X0439	EC3S-I1924-RX-nn	X0515-X0519	EC3P-B9314-RX-nn
200V, 1.3kW, 23-bit encoder, no brake	M0769	MXM-13A1315LA224	X0440-X0444	EC3S-A1924-RX-nn	X0435-X0439	EC3S-I1924-RX-nn	X0510-X0514	EC3P-N9314-RX-nn
200V, 1.3kW, 23-bit encoder, with brake	M0770	MXM-13A1315LA244	X0440-X0444	EC3S-A1924-RX-nn	X0435-X0439	EC3S-I1924-RX-nn	X0515-X0519	EC3P-B9314-RX-nn
200V, 1.3kW, 17-bit encoder, no brake	M0796	MXM-13A1315TA224	X0440-X0444	EC3S-A1924-RX-nn	X0435-X0439	EC3S-I1924-RX-nn	X0510-X0514	EC3P-N9314-RX-nn
200V, 1.3kW, 17-bit encoder, with brake	M0797	MXM-13A1315TA244	X0440-X0444	EC3S-A1924-RX-nn	X0435-X0439	EC3S-I1924-RX-nn	X0515-X0519	EC3P-B9314-RX-nn
200V, 1.8kW, 23-bit encoder, no brake	M0853	MXM-18A1315LA224	X0440-X0444	EC3S-A1924-RX-nn	X0435-X0439	EC3S-I1924-RX-nn	X0510-X0514	EC3P-N9314-RX-nn
200V, 1.8kW, 23-bit encoder, with brake	M0854	MXM-18A1315LA244	X0440-X0444	EC3S-A1924-RX-nn	X0435-X0439	EC3S-I1924-RX-nn	X0515-X0519	EC3P-B9314-RX-nn
200V, 1.8kW, 17-bit encoder, no brake	M0855	MXM-18A1315TA224	X0440-X0444	EC3S-A1924-RX-nn	X0435-X0439	EC3S-I1924-RX-nn	X0510-X0514	EC3P-N9314-RX-nn
200V, 1.8kW, 17-bit encoder, with brake	M0856	MXM-18A1315TA244	X0440-X0444	EC3S-A1924-RX-nn	X0435-X0439	EC3S-I1924-RX-nn	X0515-X0519	EC3P-B9314-RX-nn

400V Description	Trio Motor Part #	Motor Model	Trio Encoder Cable Part #	Encoder Cable (with battery)	Trio Encoder Cable Part # (no battery)	Encoder Cable (no battery)	Trio Power Cable Part #	Power Cable
400V, 850W, 23-bit encoder, no brake	M0792	MXM-09D1315LA224	X0440-X0444	EC3S-A1924-RX-nn	X0435-X0439	EC3S-I1924-RX-nn	X0510-X0514	EC3P-N9314-RX-nn
400V, 850W, 23-bit encoder, with brake	M0793	MXM-09D1315LA244	X0440-X0444	EC3S-A1924-RX-nn	X0435-X0439	EC3S-I1924-RX-nn	X0515-X0519	EC3P-B9314-RX-nn
400V, 850W, 17-bit encoder, no brake	M0794	MXM-09D1315TA224	X0440-X0444	EC3S-A1924-RX-nn	X0435-X0439	EC3S-I1924-RX-nn	X0510-X0514	EC3P-N9314-RX-nn
400V, 850W, 17-bit encoder, with brake	M0795	MXM-09D1315TA244	X0440-X0444	EC3S-A1924-RX-nn	X0435-X0439	EC3S-I1924-RX-nn	X0515-X0519	EC3P-B9314-RX-nn
400V, 1.3kW, 23-bit encoder, no brake	M0798	MXM-13D1315LA224	X0440-X0444	EC3S-A1924-RX-nn	X0435-X0439	EC3S-I1924-RX-nn	X0510-X0514	EC3P-N9314-RX-nn
400V, 1.3kW, 23-bit encoder, with brake	M0799	MXM-13D1315LA244	X0440-X0444	EC3S-A1924-RX-nn	X0435-X0439	EC3S-I1924-RX-nn	X0515-X0519	EC3P-B9314-RX-nn
400V, 1.3kW, 17-bit encoder, no brake	M0803	MXM-13D1315TA224	X0440-X0444	EC3S-A1924-RX-nn	X0435-X0439	EC3S-I1924-RX-nn	X0510-X0514	EC3P-N9314-RX-nn
400V, 1.3kW, 17-bit encoder, with brake	M0804	MXM-13D1315TA244	X0440-X0444	EC3S-A1924-RX-nn	X0435-X0439	EC3S-I1924-RX-nn	X0515-X0519	EC3P-B9314-RX-nn
400V, 1.8kW, 23-bit encoder, no brake	M0805	MXM-18D1315LA224	X0440-X0444	EC3S-A1924-RX-nn	X0435-X0439	EC3S-I1924-RX-nn	X0510-X0514	EC3P-N9314-RX-nn
400V, 1.8kW, 23-bit encoder, with brake	M0806	MXM-18D1315LA244	X0440-X0444	EC3S-A1924-RX-nn	X0435-X0439	EC3S-I1924-RX-nn	X0515-X0519	EC3P-B9314-RX-nn
400V, 1.8kW, 17-bit encoder, no brake	M0807	MXM-18D1315TA224	X0440-X0444	EC3S-A1924-RX-nn	X0435-X0439	EC3S-I1924-RX-nn	X0510-X0514	EC3P-N9314-RX-nn
400V, 1.8kW, 17-bit encoder, with brake	M0808	MXM-18D1315TA244	X0440-X0444	EC3S-A1924-RX-nn	X0435-X0439	EC3S-I1924-RX-nn	X0515-X0519	EC3P-B9314-RX-nn

The "nn" at the end of the ENCODER CABLE code represents the cable length: E.g: EC3S-I1724-RX-10 = 10 metre cable
valid lengths are: 1M5, 05, 10, 15, 20. All lengths are in Metres

All "RX" cable are flexible and suitable for drag chain applications

Preliminary specifications may change without notice

MXM Motors

2.9kW - 7.5kW (400V)

Component Selection



400V Description	Trio Motor Part #	Motor Model	Trio Encoder Cable Part #	Encoder Cable (with battery)	Trio Encoder Cable Part # (no battery)	Encoder Cable (no battery)	Trio Power Cable Part #	Power Cable
400V, 2.9kW, 23-bit encoder, no brake	M0809	MXM-29D1815LA224	X0440-X0444	EC3S-A1924-RX-nn	X0435-X0439	EC3S-I1924-RX-nn	X0550-X0554	EC3P-N8214-RX-nn
400V, 2.9kW, 23-bit encoder, with brake	M0810	MXM-29D1815LA244	X0440-X0444	EC3S-A1924-RX-nn	X0435-X0439	EC3S-I1924-RX-nn	X0555-X0559	EC3P-B8214-RX-nn
400V, 2.9kW, 17-bit encoder, no brake	M0857	MXM-29D1815TA224	X0440-X0444	EC3S-A1924-RX-nn	X0435-X0439	EC3S-I1924-RX-nn	X0550-X0554	EC3P-N8214-RX-nn
400V, 2.9kW, 17-bit encoder, with brake	M0858	MXM-29D1815TA244	X0440-X0444	EC3S-A1924-RX-nn	X0435-X0439	EC3S-I1924-RX-nn	X0555-X0559	EC3P-B8214-RX-nn
400V, 4.4kW, 23-bit encoder, no brake	M0811	MXM-44D1815LA224	X0440-X0444	EC3S-A1924-RX-nn	X0435-X0439	EC3S-I1924-RX-nn	X0560-X0564	EC3P-N9212-RX-nn
400V, 4.4kW, 23-bit encoder, with brake	M0812	MXM-44D1815LA244	X0440-X0444	EC3S-A1924-RX-nn	X0435-X0439	EC3S-I1924-RX-nn	X0565-X0569	EC3P-B9212-RX-nn
400V, 4.4kW, 17-bit encoder, no brake	M0859	MXM-44D1815TA224	X0440-X0444	EC3S-A1924-RX-nn	X0435-X0439	EC3S-I1924-RX-nn	X0560-X0564	EC3P-N9212-RX-nn
400V, 4.4kW, 17-bit encoder, with brake	M0860	MXM-44D1815TA244	X0440-X0444	EC3S-A1924-RX-nn	X0435-X0439	EC3S-I1924-RX-nn	X0565-X0569	EC3P-B9212-RX-nn
400V, 5.5kW, 23-bit encoder, no brake	M0813	MXM-55D1815LA224	X0440-X0444	EC3S-A1924-RX-nn	X0435-X0439	EC3S-I1924-RX-nn	X0560-X0564	EC3P-N9212-RX-nn
400V, 5.5kW, 23-bit encoder, with brake	M0814	MXM-55D1815LA244	X0440-X0444	EC3S-A1924-RX-nn	X0435-X0439	EC3S-I1924-RX-nn	X0565-X0569	EC3P-B9212-RX-nn
400V, 5.5kW, 17-bit encoder, no brake	M0861	MXM-55D1815TA224	X0440-X0444	EC3S-A1924-RX-nn	X0435-X0439	EC3S-I1924-RX-nn	X0560-X0564	EC3P-N9212-RX-nn
400V, 5.5kW, 17-bit encoder, with brake	M0862	MXM-55D1815TA244	X0440-X0444	EC3S-A1924-RX-nn	X0435-X0439	EC3S-I1924-RX-nn	X0565-X0569	EC3P-B9212-RX-nn
400V, 7.5kW, 23-bit encoder, no brake	M0815	MXM-75D1815LA224	X0440-X0444	EC3S-A1924-RX-nn	X0435-X0439	EC3S-I1924-RX-nn	X0570-X0574	EC3P-N9211-RX-nn
400V, 7.5kW, 23-bit encoder, with brake	M0816	MXM-75D1815LA244	X0440-X0444	EC3S-A1924-RX-nn	X0435-X0439	EC3S-I1924-RX-nn	X0575-X0579	EC3P-B9211-RX-nn
400V, 7.5kW, 17-bit encoder, no brake	M0863	MXM-75D1815TA224	X0440-X0444	EC3S-A1924-RX-nn	X0435-X0439	EC3S-I1924-RX-nn	X0570-X0574	EC3P-N9211-RX-nn
400V, 7.5kW, 17-bit encoder, with brake	M0864	MXM-75D1815TA244	X0440-X0444	EC3S-A1924-RX-nn	X0435-X0439	EC3S-I1924-RX-nn	X0575-X0579	EC3P-B9211-RX-nn

The "nn" at the end of the ENCODER CABLE code represents the cable length: E.g: EC3S-I1724-RX-10 = 10 metre cable
 valid lengths are: 1M5, 05, 10, 15, 20. All lengths are in Metres

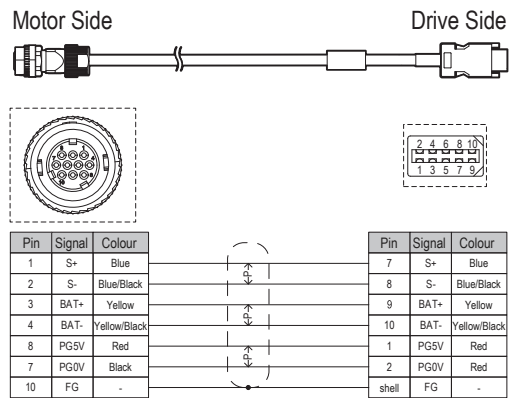
All "RX" cable are flexible and suitable for drag chain applications

CABLES

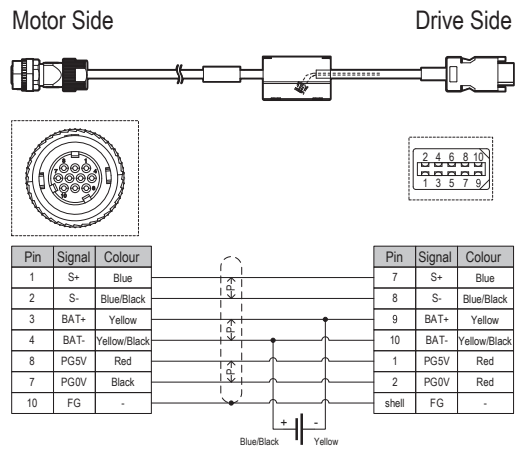
Encoder Cables

MXM Motors (850W - 7.5kW)

EC3S-I1924-RX-nn (Inc Encoder)



EC3S-A1924-RX-nn (Abs Encoder)



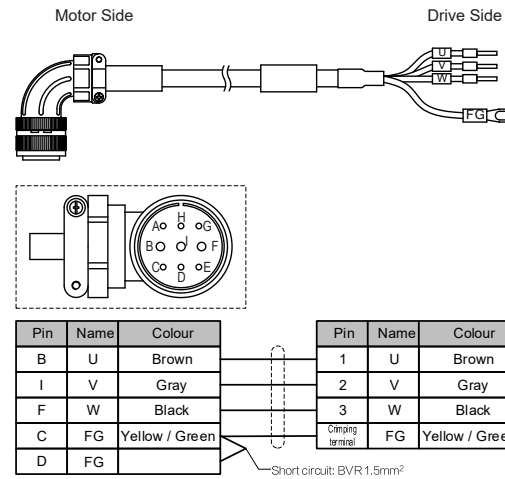
Preliminary specifications may change without notice

CABLES

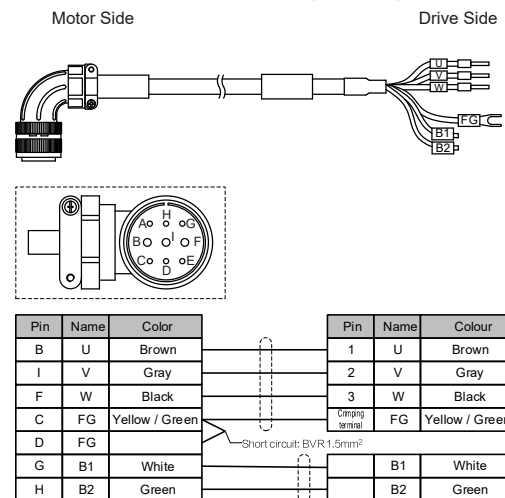
Power Cables

MXM Motors (850W - 1.8kW)

EC3P-N9314-RX-nn (No Brake)



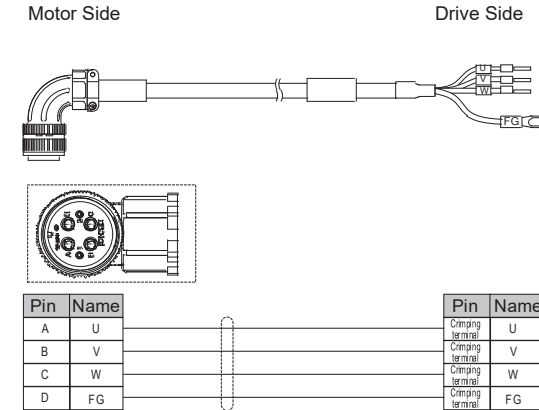
EC3P-B9314-RX-nn (Brake)



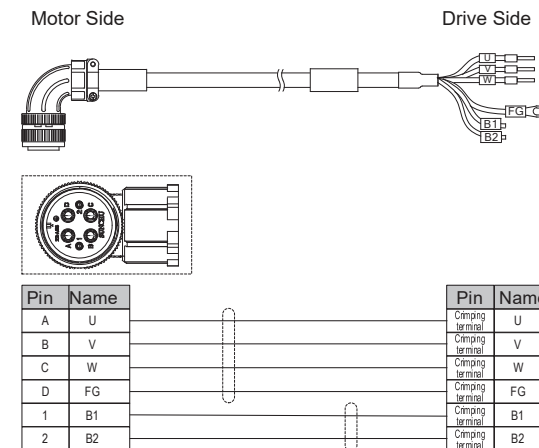
A MEMBER OF THE ESTUN GROUP

MXM Motors (2.9kW)

EC3P-N8214-nn (No Brake)



EC3B-N8214-nn (Brake)

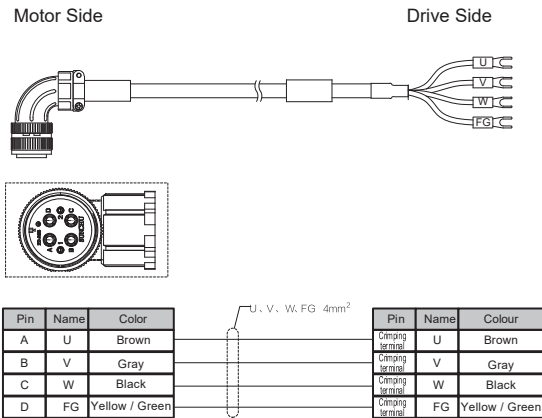


CABLES

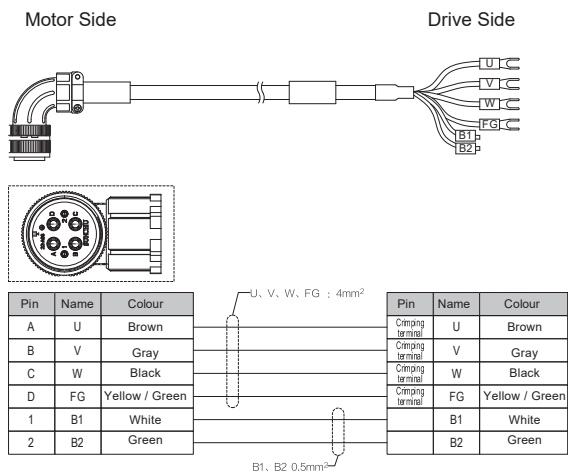
Power Cables

MXM Motors (4.4kW - 5.5kW)

EC3P-N9212-nn (No Brake)

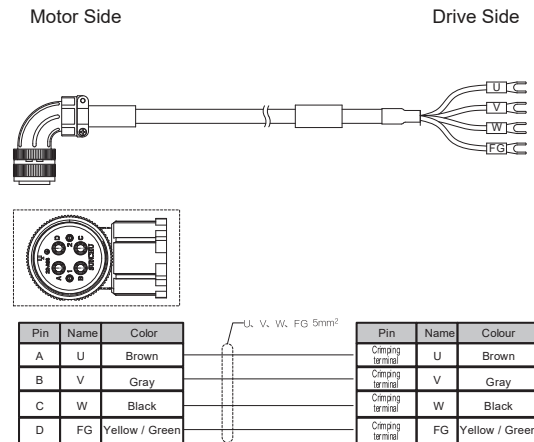


EC3P-B9212-nn (Brake)

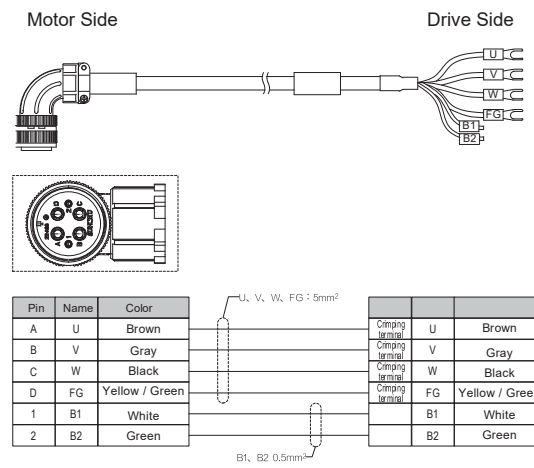


MXM Motors (7.5kW)

EC3P-N9211-nn (No Brake)



EC3B-B9211-nn (Brake)



CABLES

Encoder Cables

Component Selection

Trio part #	Cable	Description
X0435	EC3S-I1924-RX-1M5	1.5m Encoder cable, no battery (850W - 7.5kW)
X0436	EC3S-I1924-RX-05	5m Encoder cable, no battery (850W - 7.5kW)
X0437	EC3S-I1924-RX-10	10m Encoder cable, no battery (850W - 7.5kW)
X0438	EC3S-I1924-RX-15	15m Encoder cable, no battery (850W - 7.5kW)
X0439	EC3S-I1924-RX-20	20m Encoder cable, no battery (850W - 7.5kW)
X0440	EC3S-A1924-RX-1M5	1.5m Encoder cable, with battery (850W - 7.5kW)
X0441	EC3S-A1924-RX-05	5m Encoder cable, with battery (850W - 7.5kW)
X0442	EC3S-A1924-RX-10	10m Encoder cable, with battery (850W - 7.5kW)
X0443	EC3S-A1924-RX-15	15m Encoder cable, with battery (850W - 7.5kW)
X0444	EC3S-A1924-RX-20	20m Encoder cable, with battery (850W - 7.5kW)
X0606	EC3S-I1924-XX	Encoder cable connectors only, no battery (850W - 7.5kW)
X0607	EC3S-A1924-XX	Encoder cable connectors only, with battery (850W - 7.5kW)

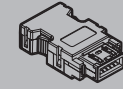
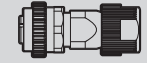
The XX at the end of the ENCODER CABLE code represents the cable length:
 E.g: EC3S-I1724-RX-10 = 10 metre cable.
 valid lengths are: 1M5, 05, 10, 15, 20. All lengths are in Metres

All 'RX' cable are flexible and suitable for drag chain applications



Encoder Cables Connectors

Component Selection

Description	Function
Encoder plug (Drive)	DX Drive 
Encoder plug (Motor) (straight, 10pin, 3A)	MXL motor (1.5kW ~ 5kW) X0606 - EC3S-I1924-XX X0607 - EC3S-A1924-XX 

N.B.: Encoder cable connector pack includes motor side and drive drive side connector



CABLES

Power Cables

Component Selection



Trio part #	Cable	Description
X0510	EC3P-N9314-RX-1M5	1.5m Power cable, no brake (850W - 1.8kW)
X0511	EC3P-N9314-RX-05	5m Power cable, no brake (850W - 1.8kW)
X0512	EC3P-N9314-RX-10	10m Power cable, no brake (850W - 1.8kW)
X0513	EC3P-N9314-RX-15	15m Power cable, no brake (850W - 1.8kW)
X0514	EC3P-N9314-RX-20	20m Power cable, no brake (850W - 1.8kW)
X0515	EC3P-B9314-RX-1M5	1.5m Power cable, with brake (850W - 1.8kW)
X0516	EC3P-B9314-RX-05	5m Power cable, with brake (850W - 1.8kW)
X0517	EC3P-B9314-RX-10	10m Power cable, with brake (850W - 1.8kW)
X0518	EC3P-B9314-RX-15	15m Power cable, with brake (850W - 1.8kW)
X0519	EC3P-B9314-RX-20	20m Power cable, with brake (850W - 1.8kW)
X0550	EC3P-N8214-RX-1M5	1.5m Power cable, no brake (2.9kW)
X0551	EC3P-N8214-RX-05	5m Power cable, no brake (2.9kW)
X0552	EC3P-N8214-RX-10	10m Power cable, no brake (2.9kW)
X0553	EC3P-N8214-RX-15	15m Power cable, no brake (2.9kW)
X0554	EC3P-N8214-RX-20	20m Power cable, no brake (2.9kW)
X0555	EC3P-B8214-RX-1M5	1.5m Power cable, with brake (2.9kW)
X0556	EC3P-B8214-RX-05	5m Power cable, with brake (2.9kW)
X0557	EC3P-B8214-RX-10	10m Power cable, with brake (2.9kW)
X0558	EC3P-B8214-RX-15	15m Power cable, with brake (2.9kW)
X0559	EC3P-B8214-RX-20	20m Power cable, with brake (2.9kW)
X0560	EC3P-N9212-RX-1M5	1.5m Power cable, no brake (4.4kW - 5.5kW)
X0561	EC3P-N9212-RX-05	5m Power cable, no brake (4.4kW - 5.5kW)
X0562	EC3P-N9212-RX-10	10m Power cable, no brake (4.4kW - 5.5kW)
X0563	EC3P-N9212-RX-15	15m Power cable, no brake (4.4kW - 5.5kW)
X0564	EC3P-N9212-RX-20	20m Power cable, no brake (4.4kW - 5.5kW)
X0565	EC3P-B9212-RX-1M5	1.5m Power cable, with brake (4.4kW - 5.5kW)
X0566	EC3P-B9212-RX-05	5m Power cable, with brake (4.4kW - 5.5kW)
X0567	EC3P-B9212-RX-10	10m Power cable, with brake (4.4kW - 5.5kW)
X0568	EC3P-B9212-RX-15	15m Power cable, with brake (4.4kW - 5.5kW)
X0569	EC3P-B9212-RX-20	20m Power cable, with brake (4.4kW - 5.5kW)

Trio part #	Cable	Description
X0570	EC3P-N9211-RX-1M5	1.5m Power cable, no brake (7.5kW)
X0571	EC3P-N9211-RX-05	5m Power cable, no brake (7.5kW)
X0572	EC3P-N9211-RX-10	10m Power cable, no brake (7.5kW)
X0573	EC3P-N9211-RX-15	15m Power cable, no brake (7.5kW)
X0574	EC3P-N9211-RX-20	20m Power cable, no brake (7.5kW)
X0575	EC3P-B9211-RX-1M5	1.5m Power cable, with brake (7.5kW)
X0576	EC3P-B9211-RX-05	5m Power cable, with brake (7.5kW)
X0577	EC3P-B9211-RX-10	10m Power cable, with brake (7.5kW)
X0578	EC3P-B9211-RX-15	15m Power cable, with brake (7.5kW)
X0579	EC3P-B9211-RX-20	20m Power cable, with brake (7.5kW)
X0710	EC3P-N9314-XX	Power cable connector only, no brake (850W - 1.8kW)
X0711	EC3P-B9314-XX	Power cable connector only, with brake (850W - 1.8kW)
X0712	EC3P-N8214-XX	Power cable connector only, no brake (2.9kW)
X0713	EC3P-B8214-XX	Power cable connector only, with brake (2.9kW)
X0714	EC3P-N9212-XX	Power cable connector only, no brake (4.4kW - 5.5kW)
X0715	EC3P-B9212-XX	Power cable connector only, with brake (4.4kW - 5.5kW)
X0716	EC3P-N9211-XX	Power cable connector only, no brake (7.5kW)
X0717	EC3P-B9211-XX	Power cable connector only, with brake (7.5kW)

Motor Cables Connectors

Component Selection

Description	Function
Motor power plug (right angle, 9pin, 13A)	MXM motor (850W - 1.8kW) X0710 - EC3P-N9314-XX X0711 - EC3P-B9314-XX
Motor power plug (right angle, 6 pin, 13A, 46A)	MXM motor (2.9kW - 7.5kW) X0712 - EC3P-N8214-XX X0713 - EC3P-B8214-XX X0714 - EC3P-N9212-XX X0715 - EC3P-B9212-XX X0716 - EC3P-N9211-XX X0717 - EC3P-B9211-XX

N.B: Power cable connector pack includes only motor side connector as drive side connector is included with the drive

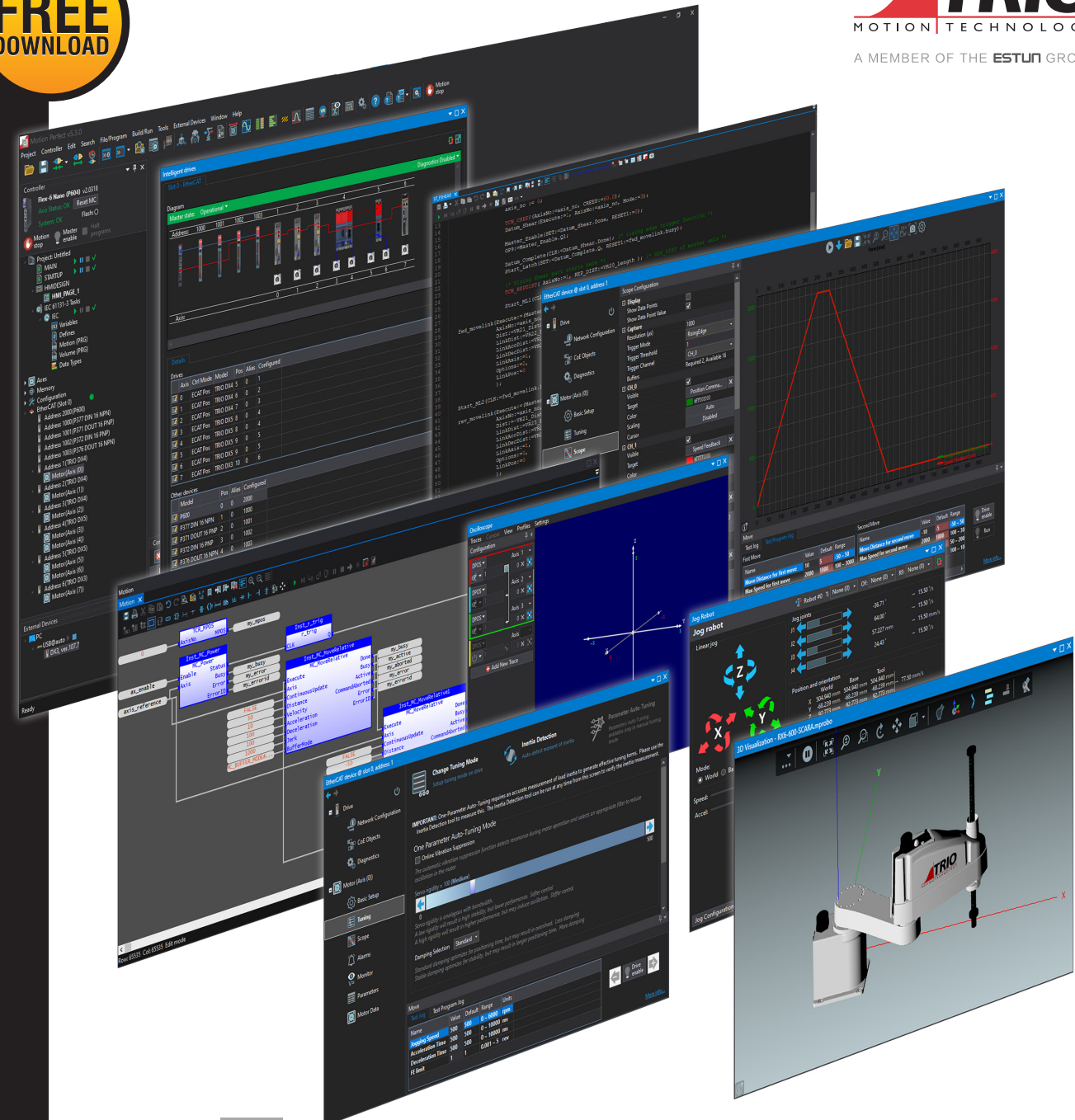
Motion Perfect

Design, Develop, Test, Deploy and Secure



Motion Perfect provides the user with an easy to understand interface for rapid application development, including configuration and setup of drives, controllers and HMI.

A fully featured IDE for program development and debugging in all Motion-iX languages, multi-page HMI screen development and diagnostic tools for machine commission. Motion Perfect allows complete machine setup from a single software package.





TRIO

Worldwide Network



TRIO OFFICES
 UK - Tewkesbury HQ
 USA - Pittsburgh
 India - Pune
 China - Shanghai
 Italy - Milan

R&D Centres
 2 x Control & Software Technology
 2 x Servo Drives & motors

EUROPE
 BELGIUM
 DENMARK
 FRANCE
 GERMANY

HUNGARY
ITALY
 NETHERLANDS
 NORWAY

POLAND
 PORTUGAL
 ROMANIA
 SLOVAKIA

SLOVENIA
 SPAIN
 TURKEY

NORTH AMERICA
 ALABAMA
 ARIZONA
 CALIFORNIA
 ONTARIO
 QUEBEC
 COLORADO
 CONNECTICUT
 FLORIDA
 GEORGIA
 ILLINOIS
 INDIANA
 IOWA
 MASSACHUSETTS
 MEXICO
 MICHIGAN

MINNESOTA
 MISSISSIPPI
 NEW JERSEY
 NEW YORK
 NORTH CAROLINA
 OHIO
PENNSYLVANIA
 SOUTH CAROLINA
 TENNESSEE
 TEXAS
 UTAH
 VIRGINIA
 WASHINGTON
 WISCONSIN

SOUTH AMERICA
 ARGENTINA
 BRAZIL
 CHILIE

MIDDLE EAST
 ISRAEL
 UAE

ASIA
 INDIA
 KOREA
 SINGAPORE
 TAIWAN
 THAILAND

CHINA
 BEIJING
 DONGGUAN
 GUANGDONG
 SHANGHAI
 YANTAI

OCEANIA
 AUSTRALIA
 NEW ZEALAND

4
 R&D Centres

18
 Integrators

32
 Countries of Sale

103
 Sales Partners Globally



A MEMBER OF THE **ESTUN** GROUP

TRIO MOTION TECHNOLOGY MX MOTORS & CABLES

Trio Motion Technology specialises in advanced motion control as a core, providing a range of *Motion Coordinators*, drives and motors, expansion interfaces, I/O modules and HMI's built on *Motion-ix* technologies and designed to enable the control of industrial machines with the minimum of external components.

In support of the Trio concept, we aim to offer the best technical support by telephone, email, our comprehensive website and training courses held throughout the year. Please look at our web site for details.

www.triomotion.com



TRIO MOTION TECHNOLOGY
UK | USA | CHINA | INDIA
WWW.TRIONOTION.COM

©Trio Motion Technology 2023. All Trademarks are acknowledged.
Specifications may be subject to change without notice. E & O.E.

Version 1.3-MX Motor Series brochure-2024