

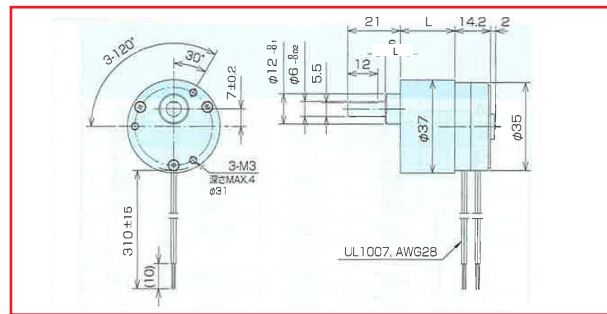
Specifications

Specifications	Units	PTM-24T
Rated Voltage	V	24 ±10%
Frequency	Hz	50/60
Rated Current	mA	68/70
Revolutions	rpm	250/300
Rotating Direction		Dual Direction (CW/CCW)
Torque @ 60Hz	mN-m	9/9.5
Temperature Rise	K	55
Operating Temp. Range	°C	-10 to +50
Dielectric Strength	V	500Vac for 1 min
Weight	g	77
Capacitor	µF	3.3

Magnet type: Anisotropic

Geared Models

PTM-24TG



Geared Motor Torque Characteristics

Model	PTM-24TG				RPM	L
	Torque (mN-m)		Gear Ratio			
Speed						
rpm	50Hz	60Hz	50Hz	60Hz		
60	--	30	--	1/5	60	19.5mm
30	--	60	--	1/10	30	
20	--	72	--	1/15	20	
10	115	145	1/25	1/30	10	21.7mm
5	180	230	1/50	1/60	5	
4	--	290	--	1/75	4	
3	--	300*	--	1/100	3	23.8mm
2	365	465	1/125	1/150	2	
1	--	600*	--	1/300	1	

*Values regulated by normal gear strength. Do not apply any load exceeding the normal gear strength.