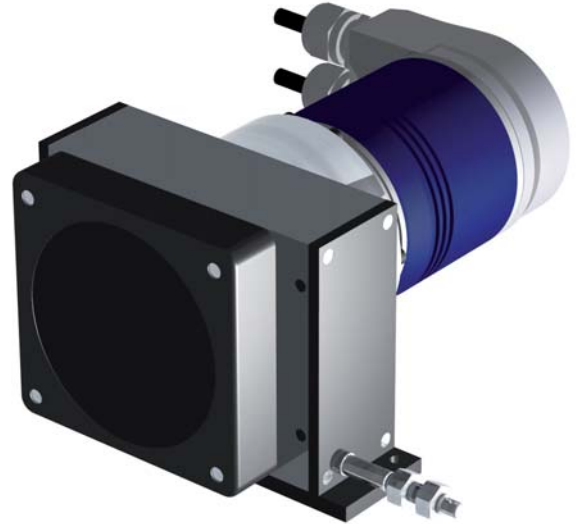


## MAIN FEATURES

Rope encoder series available for lengths up to 13,5 m. The attached encoder can be incremental or absolute (also with SSI or PROFIBUS®). Perfectly suitable also for harsh environments, thanks to its excellent mechanical strength. It can be used in wide range of applications such as: vertical warehouses, presses, extruders, etc.



## ORDERING CODE

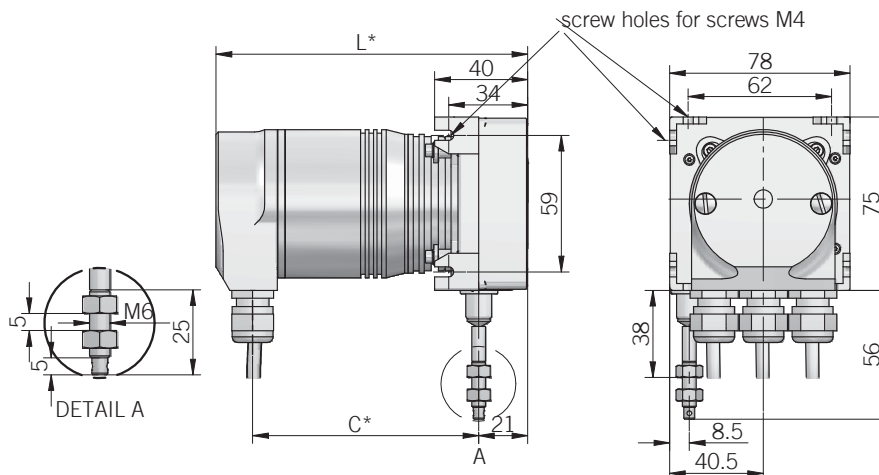
**FES 3000 A . XXX**

<p><b>SERIES</b> rope encoder for linear measures <b>FES</b></p> <p><b>WORKING STROKE</b> 3 m <b>3000</b> 6 m <b>6000</b> 13,5 m <b>13500</b></p>	<p><b>VARIANT</b> <b>XXX</b> custom version</p> <p><b>OUTPUT TYPE</b> <b>A</b> horizontal output</p>
---	--

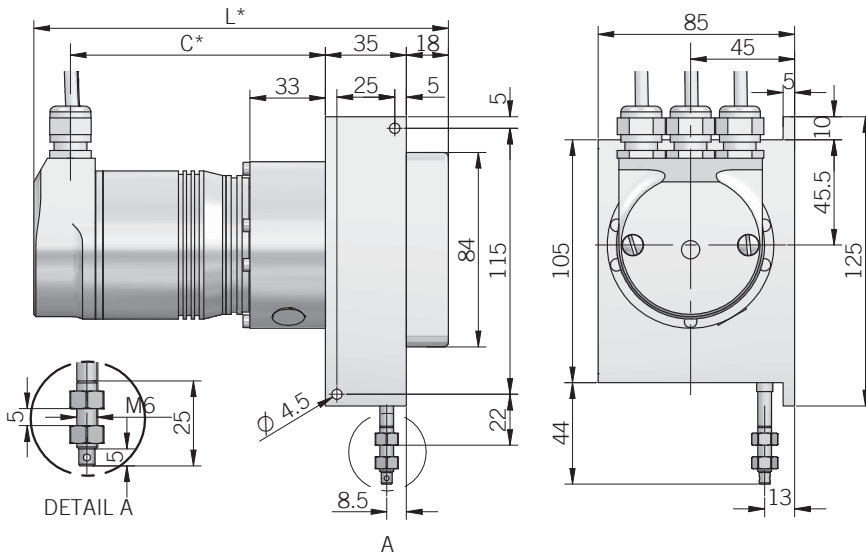
The order code above refers only to cable pull. Encoder must be ordered separately : available models are EL 58 B, EAM 58 B

Complete ordering code example:  
**FES6000A-EL58B**

## FES 3000



## FES 6000

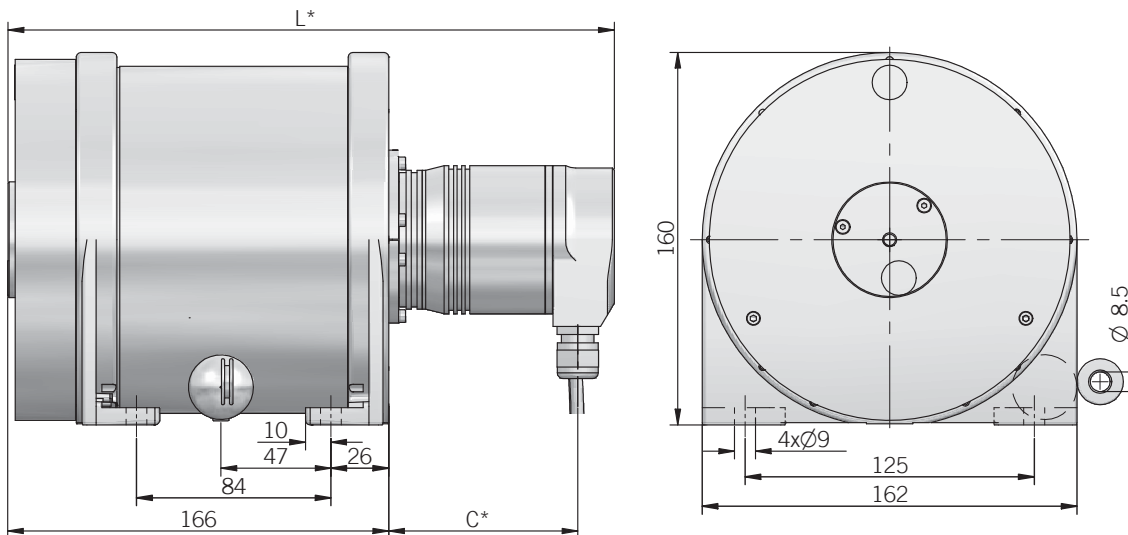


### Mounting note

When you attach the wire, it should be pulled out straight in line with the wire outlet.

Recommendation: A 5 mm wire extension is recommended before the measurement starting point. This prevents the wire snapping back to the stop on rewinding.

## FES 13500



### Mechanical specifications

Model	FES 3000	FES 6000	FES 13500
Max length measurement	3 m	6 m	13,5 m
Drum circumference	200 mm	200 mm	400 mm
Wire diameter	0,87 mm	0,54 mm	1 mm
Repeat accuracy		± 0.15mm	
Max speed	0,8 m/s	3 m/s	4 m/s
Pull-out force required	≥ 3N	≥ 8N	≥ 25N
Housing material		aluminum / plastic	
Rope material		steel	
Enclosure rating		depends on encoder IP	
Operating temperature	-40° ... +80°C	-20° ... +80°C	-20° ... +80°C
Weight	350 g + encoder	700 g + encoder	4400 g + encoder
(EL 58 B) L*	95 mm	140 mm	223 mm
(EAM 58 B) L*	109 mm	154 mm	237 mm
(EAM 58 B PROFIBUS) L*	135 mm	180 mm	263 mm
(EL 58 B) C*	58 mm	70 mm	42 mm
(EAM 58 B) C*	70 mm	82 mm	54 mm
(EAM 58 B PROFIBUS) C*	98 mm	110 mm	82 mm