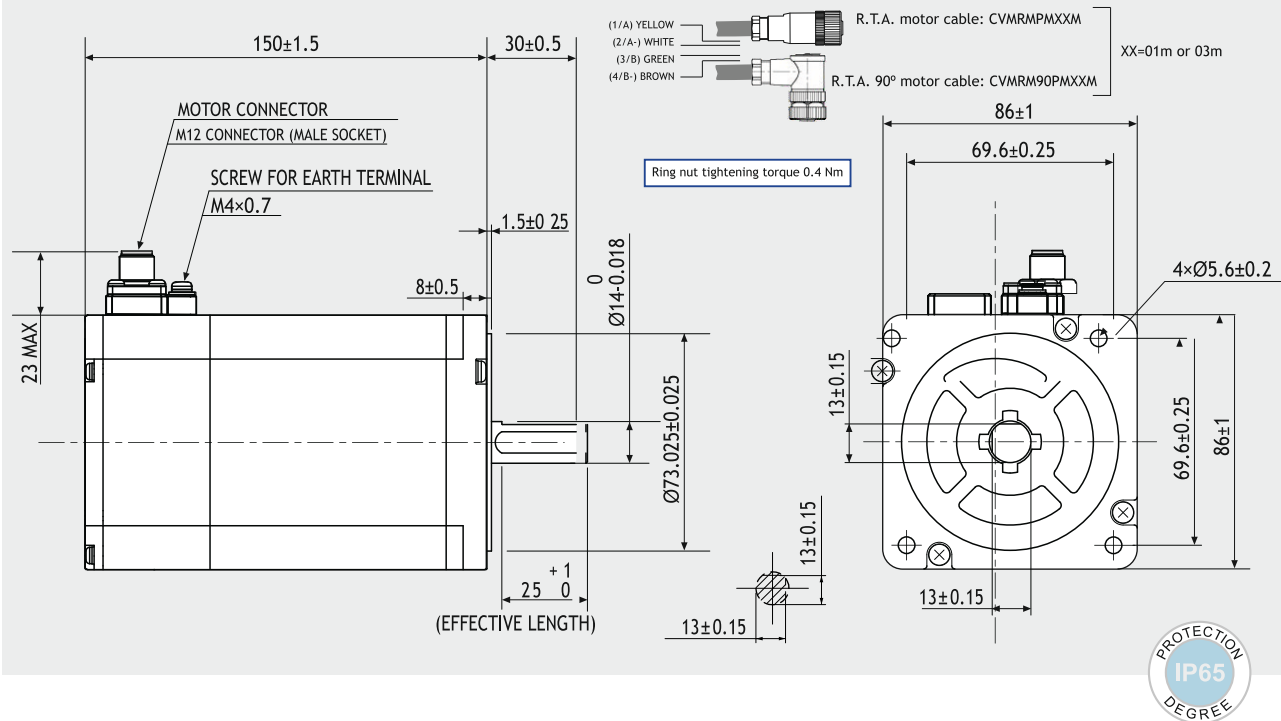


SP 2863-5100

SANYO DENKI
SANMOTION

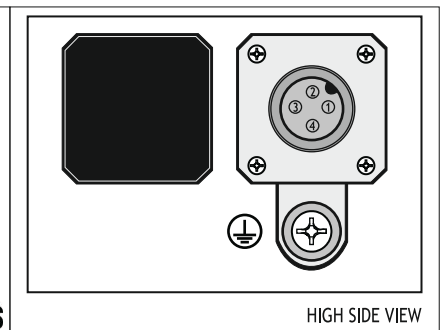
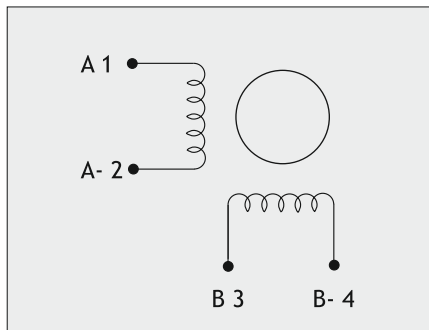
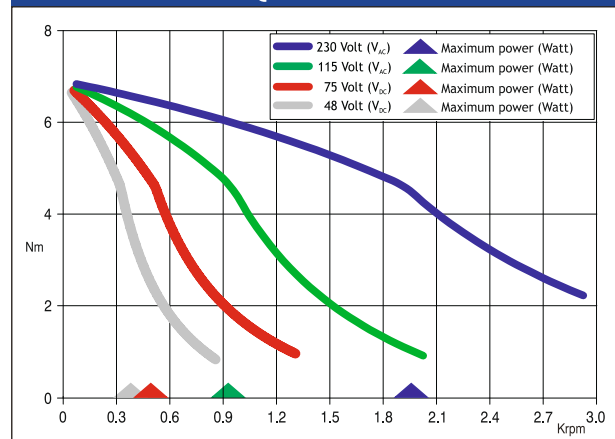
Dimensions (Unit:mm)



FEATURES

MODEL	SP 2863-5100
BASIC STEP ANGLE	1.8 ± 0.09°
BIPOLAR CURRENT (Amp)	4
RESISTANCE (Ohm)	1
INDUCTANCE (mH)	7.9
BIPOLAR HOLDING TORQUE (Ncm)	900
ROTOR INERTIA (Kgm ² x 10 ⁻⁷)	4500
THEORETICAL ACCELERATION (rad x sec. ⁻²)	20000
BACK E.M.F. (V/Krpm)	225
MASS (Kg)	4.2
INTERNATIONAL STANDARDS	UL, CSA, CE, RoHS
INSULATION VOLTAGE (V)	250 V _{AC} (350 V _{DC})
PROTECTION DEGREE - INSULATION CLASS	IP65 - F

TORQUE/SPEED CURVE



Suggested R.T.A. drive series: 230 Vac X-PLUS



R.T.A. s.r.l.
Via E. Mattei - Fraz- Divisa
27020 Marcignago (PV) (Italy)
T +39.0382.929.855
F +39.0382.929.150
www.rta.it

R.T.A. Deutschland GmbH
Bublitzter Strasse 34, 40599
Duesseldorf (Germany)
T +49.211.749.668.60
F +49.211.749.668.66
www.rta-deutschland.de

R.T.A. IBERICA
C/Generalitat 22, Local 1
08850 Gava - Barcelona (Spain)
T +34 936.388.805
F +34 936.334.595
www.rta-iberica.es

R.T.A. INDIA Pvt
Teerth Business Center 3rd Floor, Unit No. 7,
Block EL-15, MIDC Bhosari Pimpri-Chinchwd,
Pune 411026 (India)
Tel. +91 9422507445
www.rta-india.in