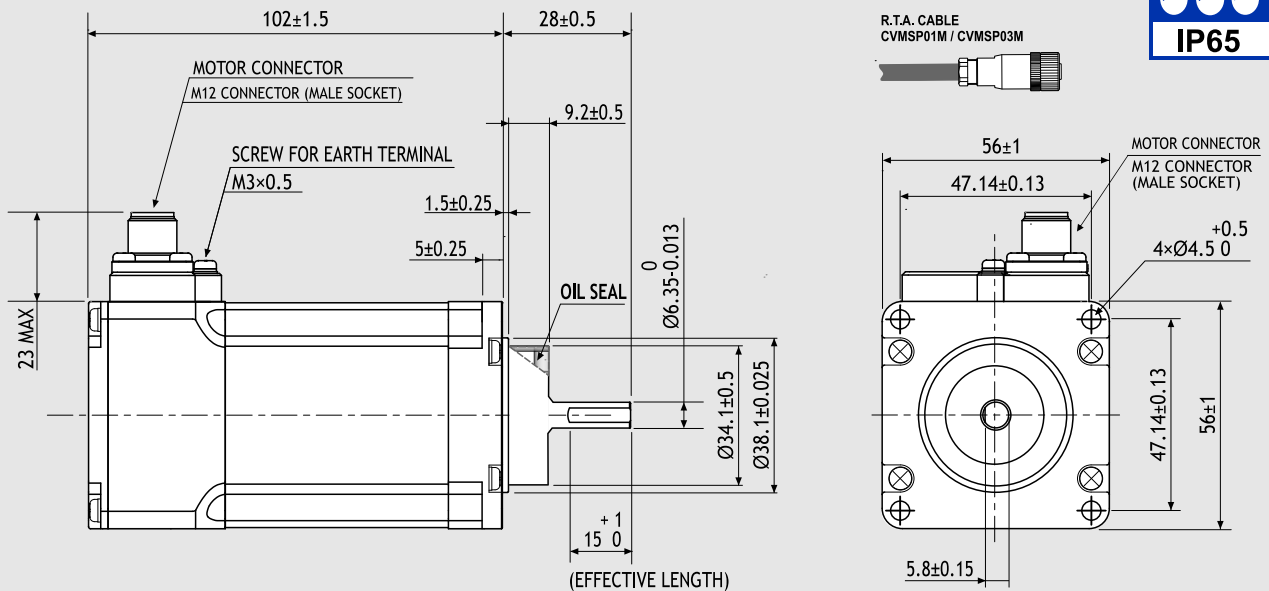


# SP2566-52SX00

SANYO DENKI  
SANMOTION

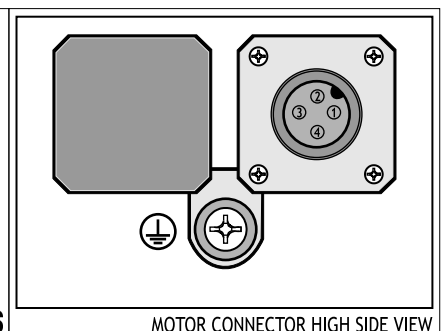
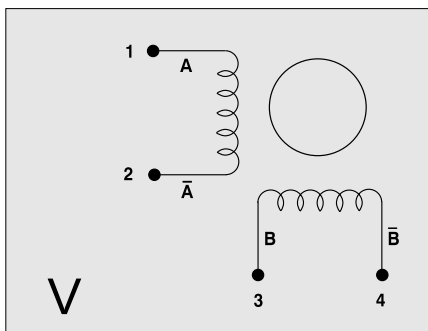
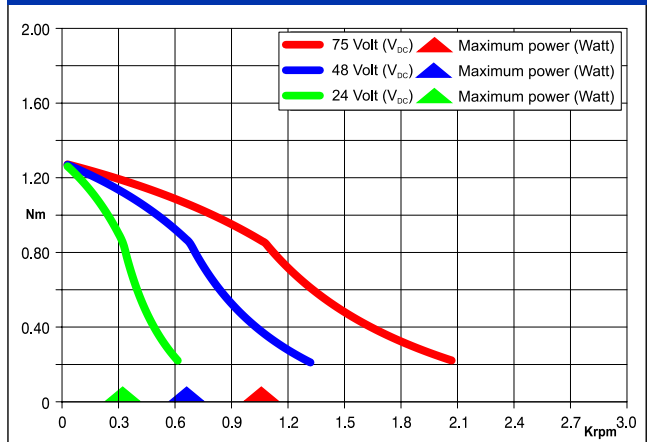
## Dimensions (Unit:mm)



## FEATURES

MODEL	SP2566-52SX00
BASIC STEP ANGLE	$1.8^\circ \pm 0.09^\circ$
BIPOLAR CURRENT (Amp)	3.0
RESISTANCE (Ohm)	0.94
INDUCTANCE (mH)	4.4
BIPOLAR HOLDING TORQUE (Ncm)	170
ROTOR INERTIA ( $\text{Kgm}^2 \times 10^{-7}$ )	360
THEORETICAL ACCELERATION ( $\text{rad} \times \text{sec}^{-2}$ )	47200
BACK E.M.F. (V/Krpm)	55
MASS (Kg)	1.2
INTERNATIONAL STANDARDS	UL, CSA, CE, RoHS
INSULATION VOLTAGE (V)	250 V <sub>AC</sub> (350 V <sub>DC</sub> )
PROTECTION DEGREE - INSULATION CLASS	FULL IP65 - F
LEADS CODE	V

## TORQUE/SPEED CURVE



Suggested R.T.A. driver: CSD/CSD J/A-CSD Series, NDC/A-NDC Series, ADW Series, HGD Series.



R.T.A. s.r.l. PAVIA (ITALY) SANYO DENKI CO., Ltd (JAPAN)

Allegato EIMC 10-14 (Ed. 02-06-15)