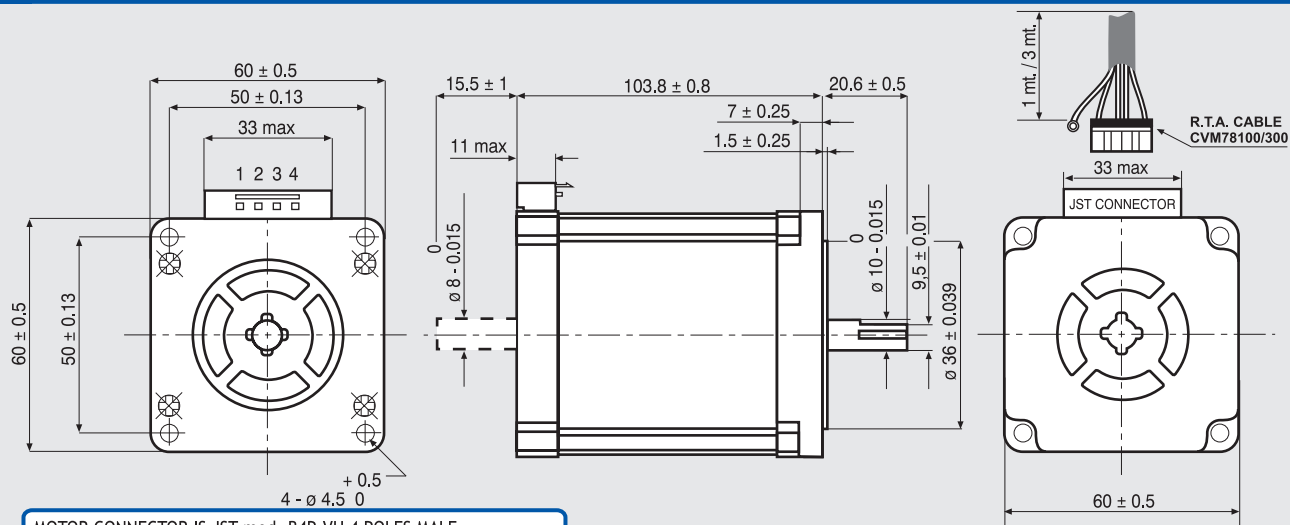


103-H7826-1642

SANYO DENKI
SANMOTION

Dimensions (Unit:mm)



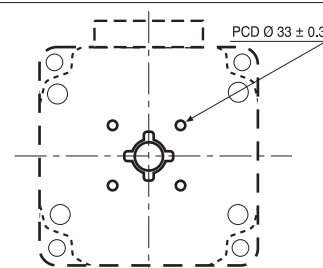
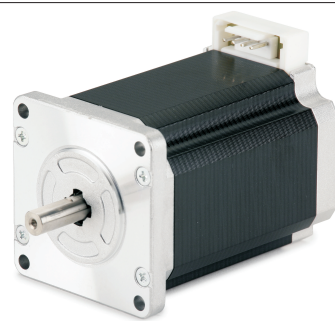
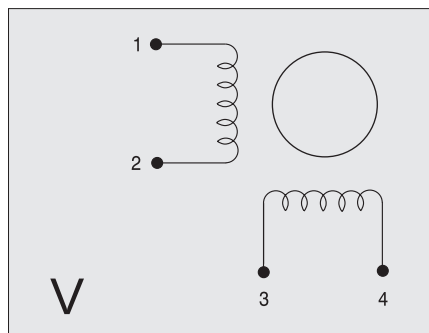
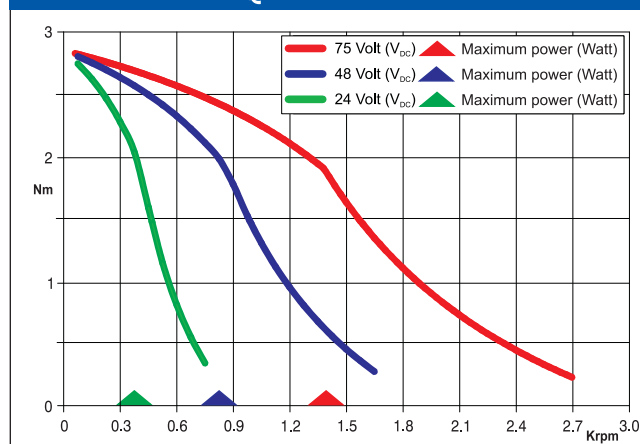
MOTOR CONNECTOR IS JST mod. B4P-VH 4 POLES MALE.
FOR CONNECTION USE JST mod. VHR-4N FEMALE CONNECTOR AND
mod. SVH-21 T-P1.1 CONTACTS.
NOTE: 103-H7826-1642 MOTORS NEED CVM78100 AND CVM78300
R.T.A. CABLES. CONTACT R.T.A. FOR FURTHER DETAILS.

FEATURES

MODEL	103-H7826-1642 (103-H7826-1612)	
BASIC STEP ANGLE	1.8° ± 0.09°	
BIPOLAR CURRENT	(Amp)	6.0
UNIPOLAR CURRENT	(Amp)	
RESISTANCE	(Ohm)	0.43
INDUCTANCE	(mH)	1.45
BIPOLAR HOLDING TORQUE	(Ncm)	380
UNIPOLAR HOLDING TORQUE	(Ncm)	
ROTOR INERTIA	(Kg ^m ² x 10 ⁻⁷)	1080
THEORETICAL ACCELERATION	(rad x sec. ⁻²)	35200
BACK E.M.F.	(V/Krpm)	70
MASS	(Kg)	1.65
LEADS CODE	V	

Codes between brackets refer to double shaft models.
Le sigle fra parentesi si riferiscono ai modelli bialbero.

TORQUE/SPEED CURVE



DOUBLE SHAFT MOTORS ONLY.
4-M3X0.5 THREADED HOLES. TAP DEPTH 8 mm.

Suggested R.T.A. driver: NDC/A-NDC Series, ADW Series, HGD Series, PLUS Series.

