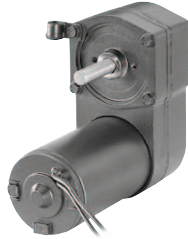


Rotary Actuator DGB

12, 24 and 36 Vdc - load torque up to 100 lbf-in



» Ordering Key - see page 53

» Glossary - see page 61

» Electric Wiring Diagram - see page 36

Standard Features and Benefits

- Rotary actuators for industrial and outdoor use
- Easy and fast clevis mounting
- Overload clutch
- Thermal protected motor
- Manual override or dual output shafts as option

General Specifications

Parameter	DGB
Manual override	no
Dynamic braking	no
Holding brake	yes
Overload protection	overload clutch
Motor protection	auto reset thermal switch
Motor connection	flying leads and connector
Motor connector	Packard Electric 56 series 2984883 with terminal 2962987. Mating connector: 2973781 with terminal 2962573 (p/n 9100-448-001)
Certificates	CE optional*
Options	<ul style="list-style-type: none"> • manual override • dual output shafts • other speeds*

* Contact customer support

Performance Specifications

Parameter		DGB
Maximum load torque	[lbf-in]	100
Speed, at no load / at maximum load	[rpm]	200 / 80
D • • -21GB		140 / 75
D • • -30GB ¹		
Available input voltages	[Vdc]	12, 24, 36
Weight	[lb]	
D • • - • • • • - XXCL		7.7
D • • - • • • • - XXMO		7.7
D • • - • • • • - XXDS		7.7
Operating temperature limits	[°F]	-15 – +150
Full load duty cycle @ 77 °F	[%]	25
Lead cross section	[AWG]	14
Lead length	[in]	7.0
Protection class		IP56

Compatible Controls

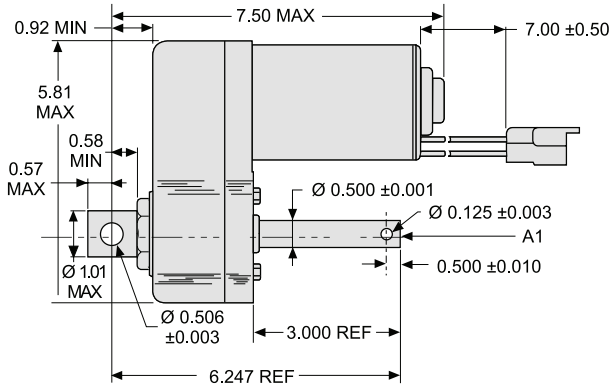
Control model	See page
DPDT switch	41

¹ D • • -30GB is not available for 36 Vdc.

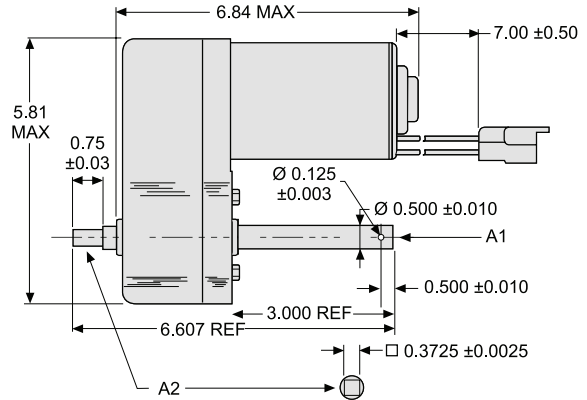
Rotary Actuator DGB

12, 24 and 36 Vdc - load torque up to 100 lbf-in

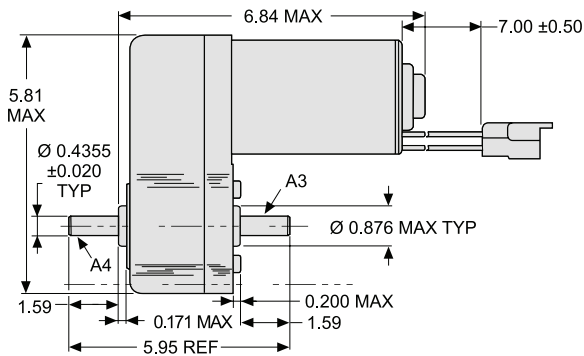
D •• - 21GB-XXCL, D ••• - 30GBXXCL (clevis mount)



D ••• - 21GBXXMO (manual override)



D ••• - 21GB-XXDS (dual output shafts)



A1: output shaft

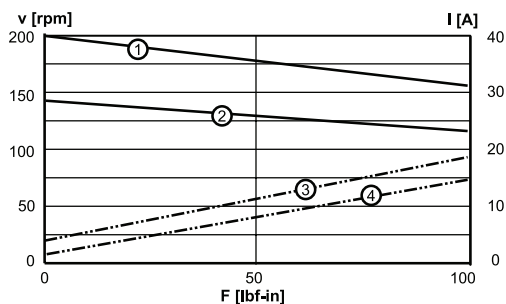
A2: shaft for manual override

A3: first output shaft

A4: second output shaft

Performance Diagrams

Speed and Current vs. Load



V: speed I: current F: load

1: speed D12-21GB

2: speed D12-30GB

3: current D12-21GB

4: current D12-30GB

Contact customer support for data on 24 and 36 Vdc models (D ••• -30GB is not available for 36 Vdc).

www.thomsonlinear.com