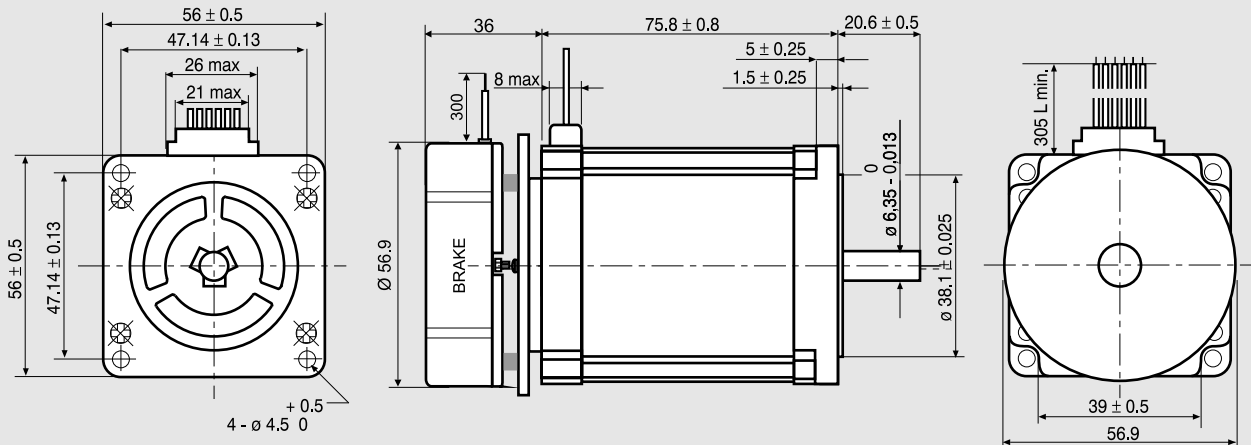


103-H7126-0710.B

Dimensions (Unit:mm)



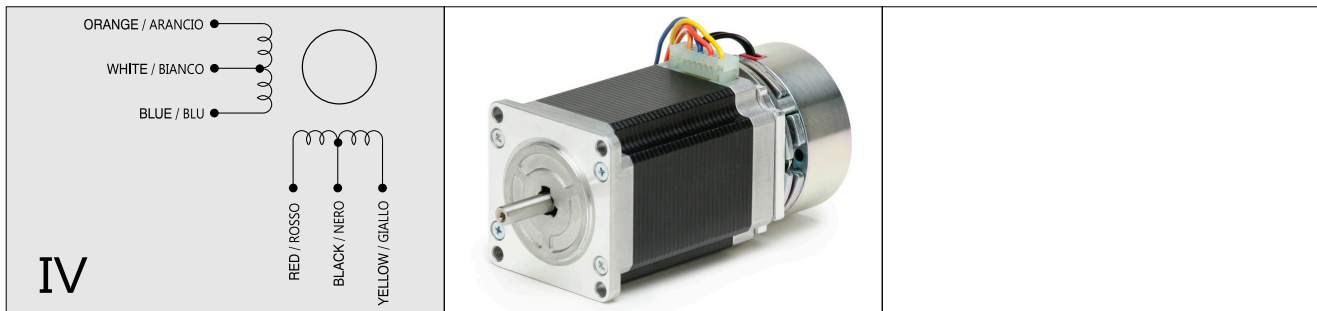
SANYO DENKI MOTOR FEATURES

MODEL	103-H7126-0710.B	
SANYO DENKI MOTOR CODE	103-H7126-0710	
BASIC STEP ANGLE	$1.8^\circ \pm 0.09^\circ$	
BIPOLAR PARALLEL CURRENT	(Amp)	2.2*
UNIPOLAR PARALLEL CURRENT	(Amp)	3.0
RESISTANCE	(Ohm)	0.9
INDUCTANCE	(mH)	2.2
BIPOLAR HOLDING TORQUE	(Ncm)	165
UNIPOLAR HOLDING TORQUE	(Ncm)	130
ROTOR INERTIA	(Kg $m^2 \times 10^{-7}$)	360
THEORETICAL ACCELERATION	(rad $\times \text{sec.}^{-2}$)	45800
BACK E.M.F.	(V/Krpm)	31
MASS	(Kg)	1.5
LEADS CODE	IV	

(*) Bipolar series connection.
 (**) Collegamento bipolare serie.

BRAKE FEATURES

STATIC TORQUE	(Nm)	3.3
DUTY CYCLE		50% max.
VOLTAGE	(Volt)	24 VDC
POWER	(W)	11
RELEASE TIME	(ms)	300



R.T.A. - s.r.l. PAVIA (ITALY) SANYO DENKI CO., Ltd (JAPAN)

Ed. 2 Allegato EIMC - 10 - 14



CAUTION

Use for safety related functions is forbidden (EN 60204-1). Moreover, when the application arrangement is in such way that a motor fault or failure could generate a risk for property or human life, external independent safety protection system must be provided in the machine.

