

Indexing table/Rotary unit

RDH-XS



RDH-XS as Rotary unit

RDH-XS as Indexing table



Features

- With precision transmission
 - High load capacity, rigid drive bearing
 - Absence of play and high torsional rigidity
- Reduction 1:50 or 1:100
- Stepper or servomotor
- Protection class IP 65
- Stainless design
- Transfer accuracy <math>< 2</math> minutes of arc
- Repeatability <math>< \pm 1</math> minute of arc
- No maintenance

For pin assignment see page **B-122**
For transport loads, see page **B-123**

Ordering key

2 6 6 0 0 X 0 X 0 0

Transmission reduction

0 = 100
1 = 50

Motors

0 = Stepper motor MS 045 HT with encoder (400 imp., 3-channel, RS422)
2 = brushed DC servomotor RE 40
3 = brushless EC servomotor EC 42
5 = Stepper motor without encoder

Accessories



Chuck assembly

3-jaw chuck \varnothing 65Part no.: **269060 4065***

* including flange



Tailstock unit RE XS

for RDH-XS

Part no.: **269100 0020** (200 mm)Part no.: **269100 0030** (300 mm)Part no.: **269100 0040** (400 mm)Part no.: **269100 0050** (500 mm)

Indexing table/Rotary unit

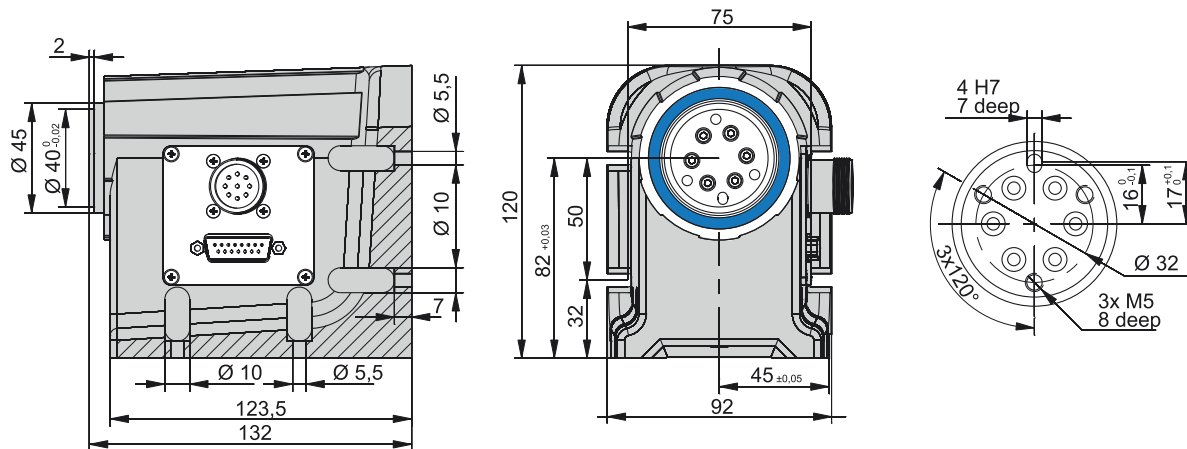
RDH-XS

Technical specification

	stepper motor MS 045 HT *		EC servomotor EC 42		DC servo motor RE 40	
	1:50	1:100	1:50	1:100	1:50	1:100
Reduction ratio	1:50	1:100	1:50	1:100	1:50	1:100
Nominal output speed [1/min]	5	2	22	11	22	11
	at 1500 Hz (225 1/min)		at 1100 1/min		at 1100 1/min	
Max. output speed [1/min]	24	12	59	30	70	35
	at 8000 Hz (1200 rpm)		--			
Nominal torque [Nm]	5	7	5	7	5	7
	at 1500 Hz (225 1/min)		--			
Max. torque (short term) [Nm]	--	--	5	7	5	7
Rated holding torque (static load) [Nm]	5	7	5	7	5	7
Max. transmission load [Nm]	9	14	9	14	9	14
	Limit for repeatable peak torque					
Dynamic load factor C [N]	392					
Static load factor C ₀ [N]	392					
Weight [kg]	2.3					

* Values for half-step operation

Dimensioned drawings



Versions	Part no.	L	A
Tailstock unit RE-XS 200 mm	269100 0020	325	117
Tailstock unit RE-XS 300 mmm	269100 0030	425	217
Tailstock unit RE-XS 400 mmm	269100 0040	525	317
Tailstock unit RE-XS 500 mmm	269100 0050	625	417

