

# Linear units

## with toothed belt drive

# LEZ 9



with shaft slide

### Features

- Aluminium profile  
Linear guide LFS-8-7
- no-play feed with toothed belt drive
- toothed belt with 3 mm interval  
Width 15 mm
- Max. feed. 2 m/s
- Shaft slides WS 11  
L 96 × W 95 mm
- Feed per turn: 60 mm
- Repeatability less than or equal to ± 0,2 mm
- inductive limit switches

Accessories can be found on page B-100.

#### Options:

- Special length in 100 mm raster to order

### Ordering key

23201X XXXX\*

#### Version

- 0 ... with shaft side
- 1 ... with trolley

#### Profile length (mm)

- 496, 996, 1496, 1996, 2496, 2996
- (e.g. 496 mm = 0050  
1496 mm = 0150)

#### Note:

Please order drive modules separately on the listed part numbers and specify here, whether the delivery should take place with or without attachment.

### Technical specification

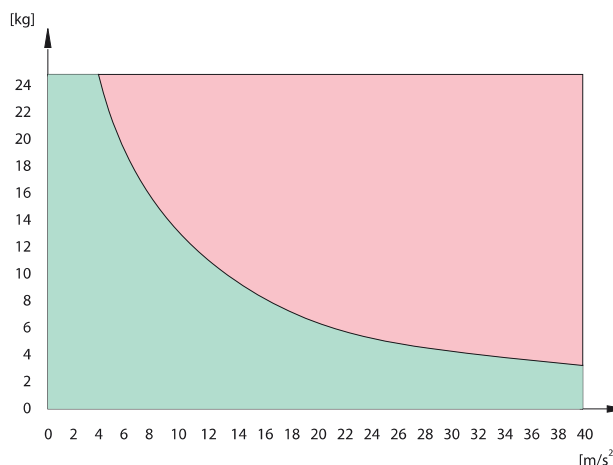
Belt type.....	HTD 3M, width 15 mm
Slide weight.....	0.4 kg
Weight without drive module.....	1000 mm = 4.4 kg
specific weight of the toothed belt.....	0.04 kg/m
specific guide weight.....	0.29 kg/100 mm
Effective diameter of the synchronous disks.....	Ø 19.1 mm
Moment of inertia of the synchronous disks.....	5.58E-6 kgm <sup>2</sup>
Feed per turn.....	60 mm

#### Linear guide rail LFS-8-7

Moment of inertia I <sub>x</sub> .....	29.34 cm <sup>4</sup>
Moment of inertia I <sub>y</sub> .....	10.86 cm <sup>4</sup>
Resistance torque W <sub>x</sub> .....	7.52 cm <sup>3</sup>
Resistance torque W <sub>y</sub> .....	5.68 cm <sup>3</sup>

### Load diagram

Permitted accelerated weights relative to the belt strength.\*



\* with vertical construction, the acceleration due to gravity (g=9.81 m/s<sup>2</sup>) must be considered

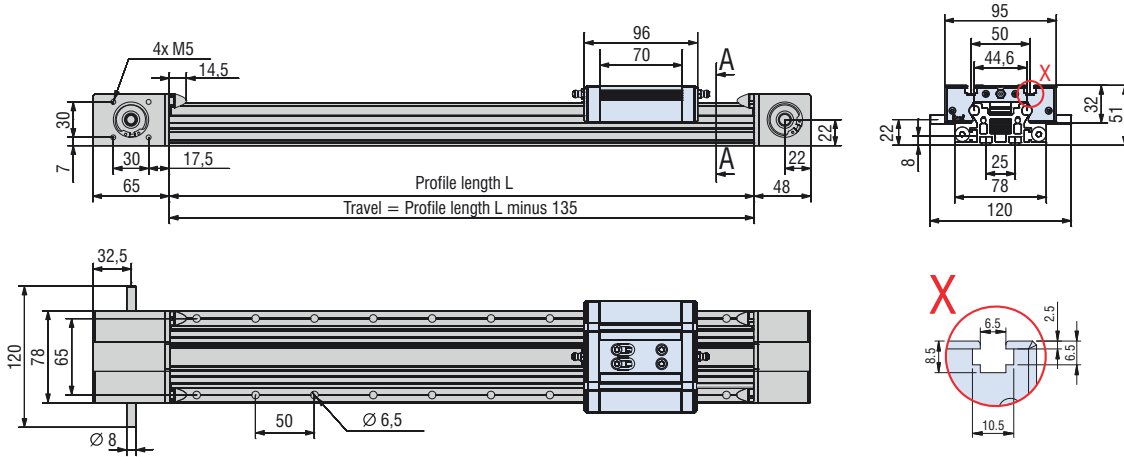
# Linear units

with toothed belt drive

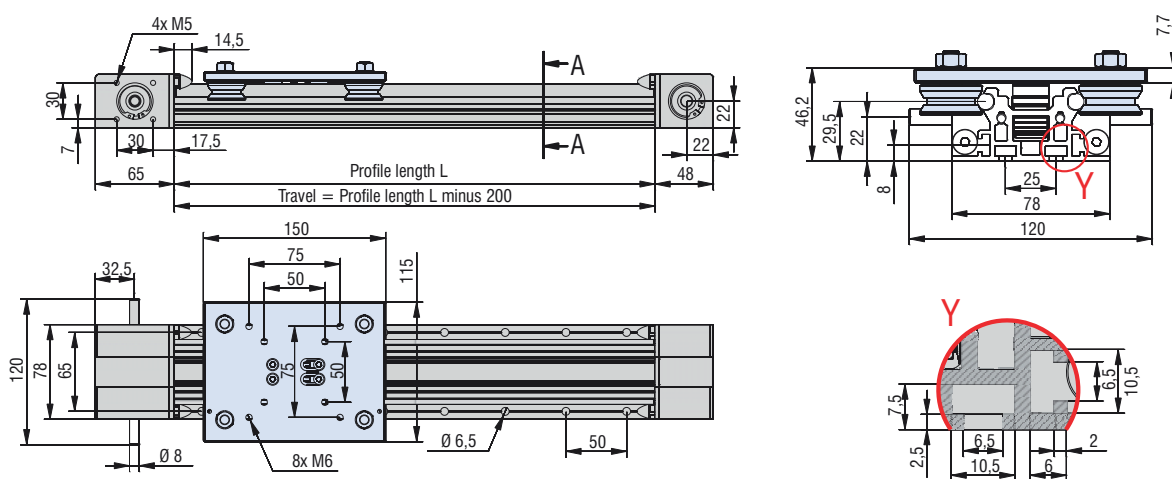
## LEZ 9

### Dimensioned drawings

with shaft slides



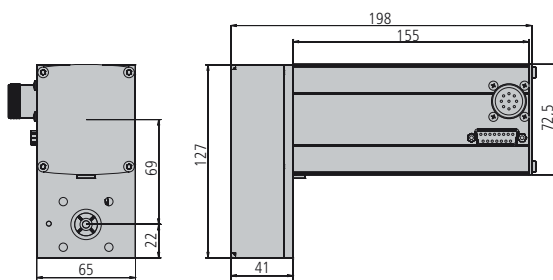
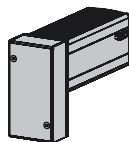
with trolley



### Motor modules (Motor pin assignments are on page B-74.)

Drive module with stepper motor  
MS 200 HT  
(reduction 2:1)  
Feed: 30 mm / turn

Part number	Motor module	
396 058 3017	MS 200 HT	right
396 058 3018	MS 200 HT	left



Drive module with servo motor DC 100  
(reduction 2:1)  
Feed: 30 mm / turn

Part-no: 396112 3063

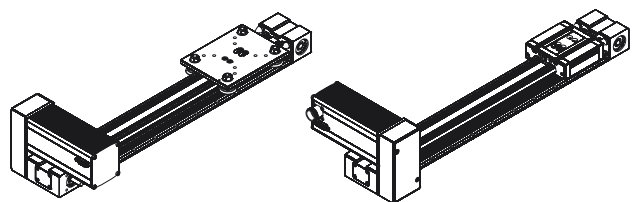
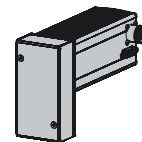


Figure:  
LEZ 9 with trolley and  
stepper motor MS 200 HT  
left mounted

Figure:  
LEZ 9 with shaft slide and  
servo motor DC 100  
right mounted