

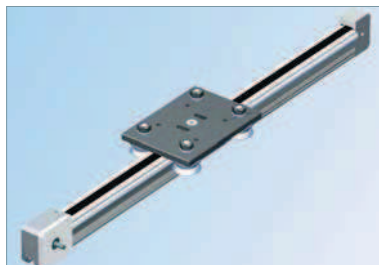
# Linear units with toothed belt drive

## LEZ 1

Guides  
and shaft slides  
also available stainless.



with shaft slide



with trolley

### Features

- Aluminium profile, miniature linear guide LFS-8-2
- No-play feed with toothed belt drive
  - toothed belt with 3 mm interval, width 9 mm
- Feed per turn: 60 mm
- Repeatability less than or equal to  $\pm 0.2$  mm
- Max. feed. 1.5 m/s

Accessories can be found on pages B-100.

#### Options:

- Special 100 mm raster lengths to order, max. 6000 mm
- Securing with integrated M6 tapped rail, raster 50 mm

### Ordering key

232 005 XXXX

#### Drives/Slides

##### Trolley

- 8 = without motor, with shaft slide
- 9 = without motor, with trolley

#### Profile lengths LFS-8-2 (mm)

- 298, 398, 498, 598, 675, 698, 798, 998, 1498, 1798, 1998, 2498, 2998  
 (e. g. 398 mm = 040  
 675 mm = 068)  
 Option: up to 6000 mm

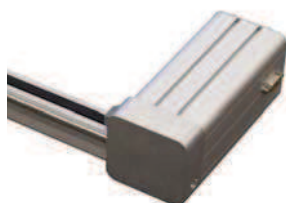
### Technical specification

Belt type.....HTD 3M, width 9 mm  
 Slide weight.....0.430 kg  
 Weight without drive module.....1000 mm = 3 kg  
 specific weight of the toothed belt.....0.0225 kg/m  
 Trolley weight.....1.03 kg  
 specific guide weight.....0.200 kg/100 mm  
 Effective  $\varnothing$  of the synchronous disks.....19.10 mm  
 Moment of inertia of the synchronous discs..... $5.585 \times 10^{-7}$  kgm<sup>2</sup>  
 Feed per turn.....60 mm

Drive module with stepper motor MS-045 HT

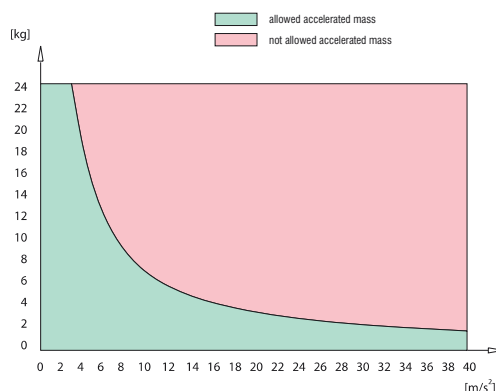


Drive module with stepper motor MS-135 HT



### Load diagram

Permitted accelerated weights relative to the belt strength.\*



\* with vertical construction, the acceleration due to gravity ( $g = 9.81$  m/s<sup>2</sup>) must be taken into account

Bending data is on page B-23.

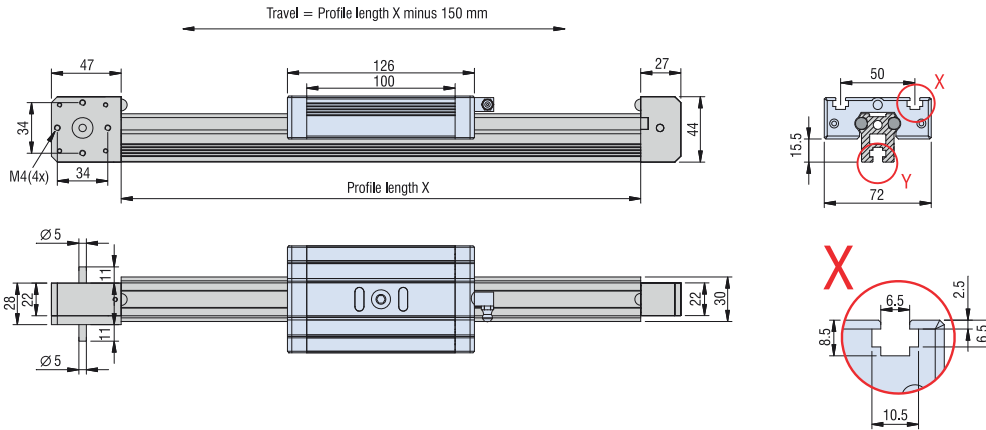
# Linear units

with toothed belt drive

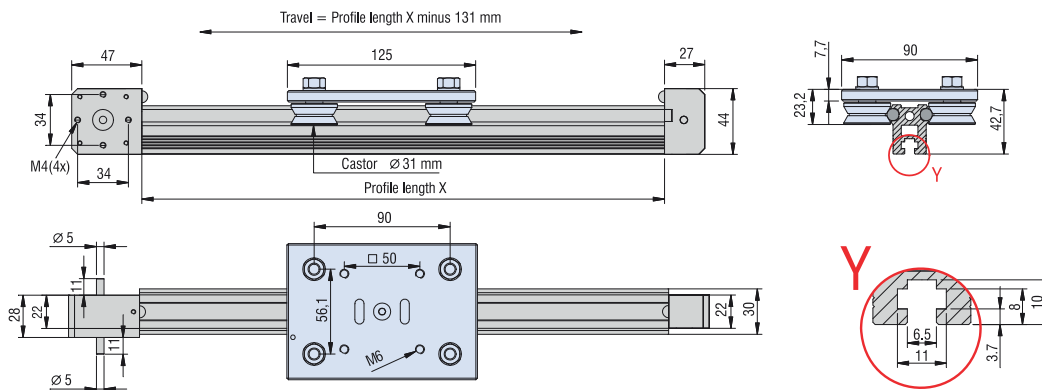
## LEZ 1

### Dimensioned drawings

without motor, with shaft slides



without motor, with trolley

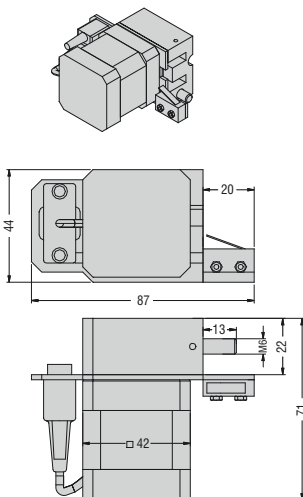


### Motor modules

(Motor pin assignments are on Page B-74.)

Drive module with stepper motor  
MS-045 HT (direct drive)  
Feed: 60 mm / turn

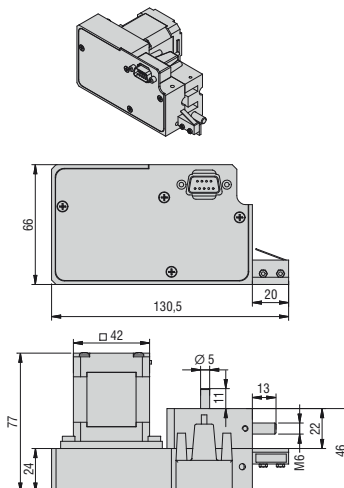
Part no.: **396048 3015**



Total length with motor module: profile length + 94 mm

Drive module with stepper motor  
MS-045 HT (reduction 2:1)  
Feed: 30 mm / turn

Part no.: **396049 3015**



Total length with motor module: profile length + 138 mm

Drive module with stepper motor  
MS-135 HT (reduction 2:1)  
Feed: 30 mm / turn

Part no.: **396056 3015**

